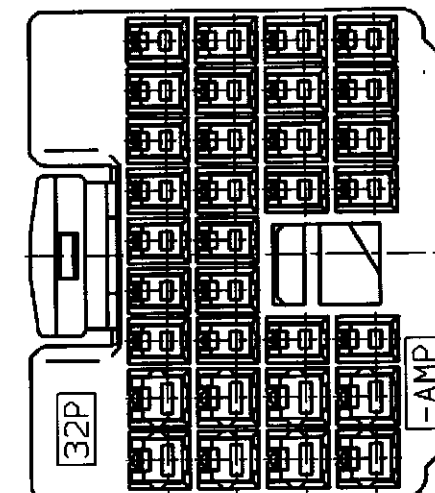
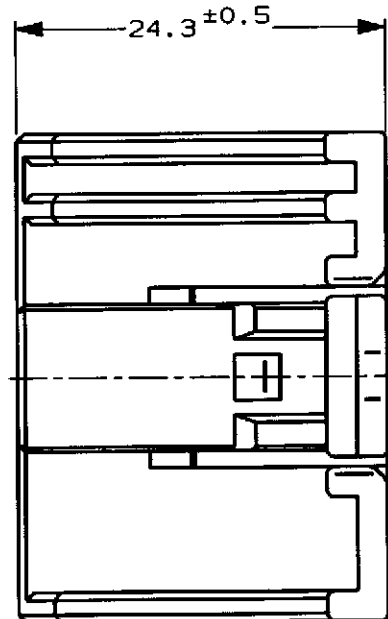
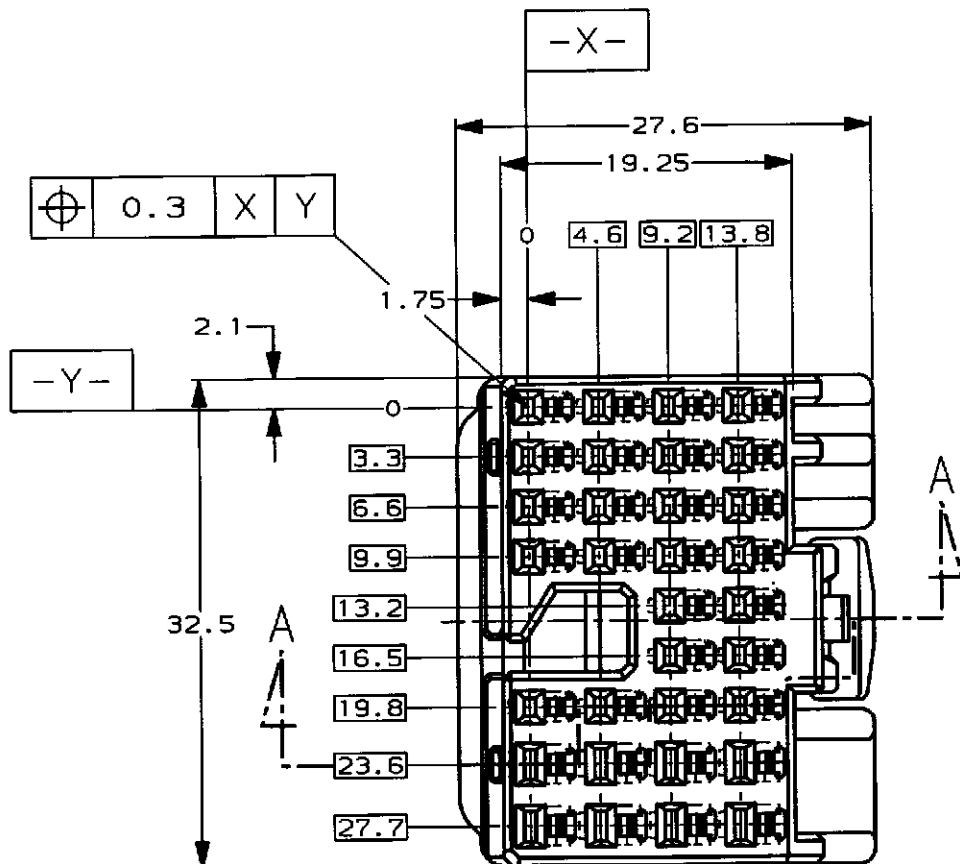
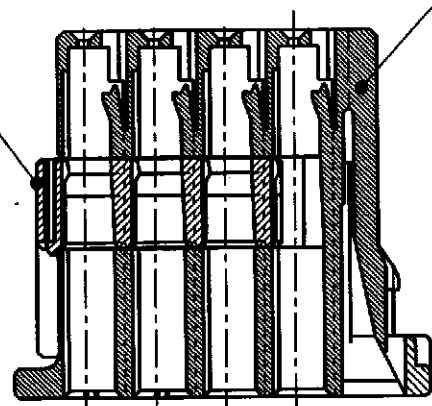


P	LTR	DESCRIPTION	ECN	DATE	DWN	APVD
	0	作成 RELEASED	FJ00-1109-97	30JUL97	KF	KS
	A	変更 REVISED	FJ00-0166-98	29F97	KF	KS

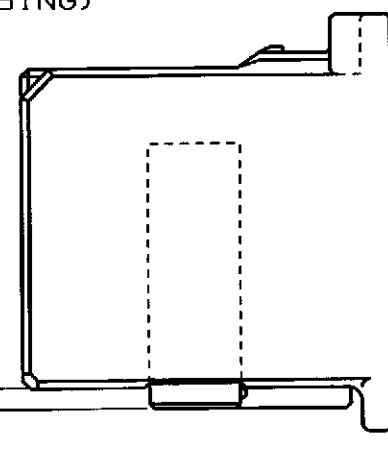


ダブルロックプレート (DOUBLE LOCK PLATE)



断面 A-A (SECT. A-A)

プラグハウジング (PLUG HOUSING)



THIS DRAWING IS A CONTROLLED DOCUMENT FOR AMP INCORPORATED. IT IS SUBJECT TO CHANGE AND THE CONTROLLING ENGINEERING ORGANIZATION SHOULD BE CONTACTED FOR THE LATEST REVISION.		DWN	30JUL97	K.FUCHIBE
DIMENSIONS: 単位: 純 mm		CHK	30JUL97	K.ODA
TOLERANCES UNLESS OTHERWISE SPECIFIED		APVD	30JUL97	K.SHIMIZU
一般公差 10% ±0.2 30% >10: ±0.25 100% >30: ±0.3 ANGLE: ±0.3°		PRODUCT SPEC	32極 プラグ ハウジング アセンブリ (Aタイプ)	
MATERIAL 材料 PBT		COLOR 色 SEE TABLE	32Pos. PLUG HOUSING ASS'Y (A-TYPE)	
WEIGHT 11.3g		INSTRUCTION SHEET 取扱説明書 411-5828 (-1)	SIZE	CAGE CODE
CUSTOMER DRAWING		SCALE 2-1	A3	00779
DRAWING NO. 353212		DRAWING NO. 353212		
SHEET 1 OF 1		REV A		

auto2/new/u.c95-0263/u.customer/s.c-353212