

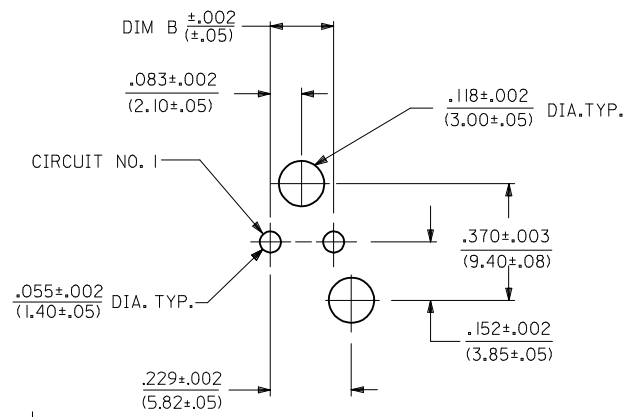
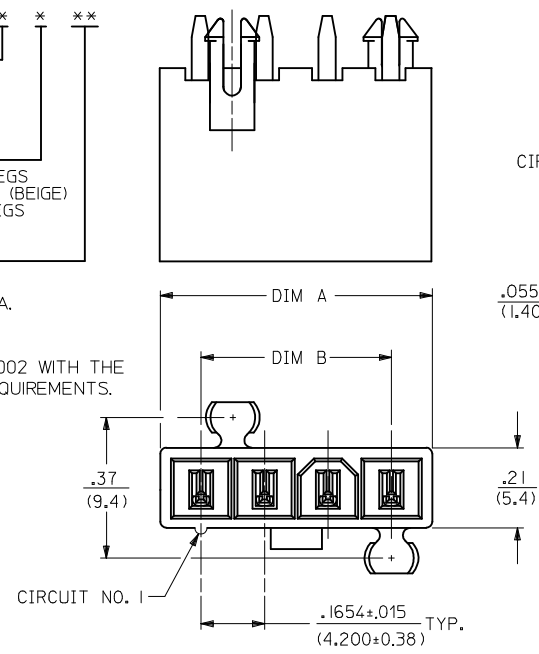
NOTES:  
 1. MATERIALS:  
 HOUSING:  
 NYLON, UL94 V-2, COLOR: SEE CHARTS, IEC 60335-1,  
 5th EDITION GLOW WIRE CAPABLE  
 TERMINALS:  
 BRASS  
 2. TERMINAL PLATING:  
 GOLD =.000030/(0.00076) MIN. SELECT GOLD AND  
 .000100/(0.00254) MIN. SELECT MATTE TIN OVER  
 .000050/(0.00127) MIN. NICKEL OVERALL  
 TIN =.000100/(0.00254) MIN. MATTE TIN OVER  
 .000050/(0.00127) MIN. NICKEL  
 3. PRODUCT SPECIFICATION: PS-5556-001  
 4. PACKAGING: TRAY PACKED PER PK-5566-002  
 5. PART MATES WITH MINI-FIT JR. RECEPTACLE NO. 46994.  
 6. 5 CIRCUIT PARTS HAVE PEG DESIGN B. ALL OTHER CIRCUIT SIZES HAVE PEG DESIGN A.  
 7. PART IS NOT DESIGNED FOR CURRENT SHARING.  
 8. PARTS ARE NOT DESIGNED TO BE MATED OR UN-MATED WHILE CIRCUITS ARE LIVE.  
 9. PART CONFORMS TO CLASS "B" REQUIREMENTS OF COSMETIC SPECIFICATION PS-45499-002 WITH THE  
 EXCEPTION OF DISCOLORATION, FLASH AND SINK ON THE HOUSING MEET CLASS "C": REQUIREMENTS.

172647 - \* \*\*

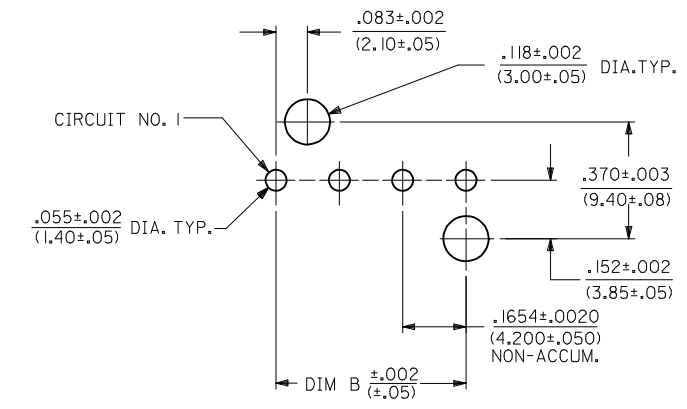
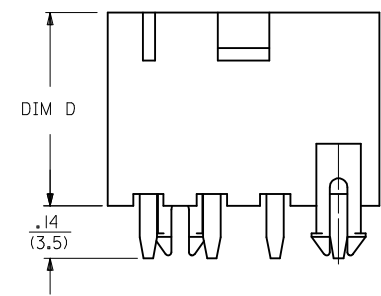
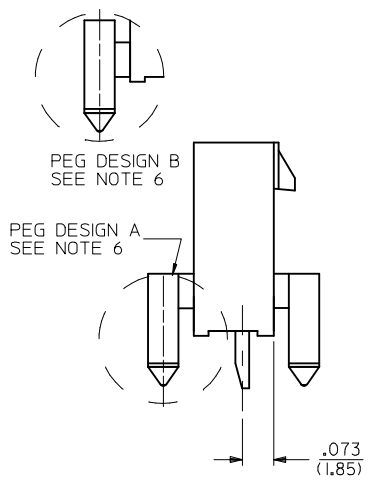
PLATING  
 SEE NOTE 2  
 0 = TIN  
 1 = GOLD

ASSEMBLY TYPE  
 0 = SINGLE ROW W/ PEGS  
 COLOR = NATURAL (BEIGE)  
 1 = SINGLE ROW W/ PEGS  
 COLOR = BLACK

CIRCUIT SIZE



RECOMMENDED HOLE LAYOUT FOR  
 .070/(1.78) MAX. THICK P. C. BOARD  
 VIEWED FROM COMPONENT SIDE  
 2 CIRCUIT PARTS



RECOMMENDED HOLE LAYOUT FOR  
 .070/(1.78) MAX. THICK P. C. BOARD  
 VIEWED FROM COMPONENT SIDE  
 3-6 CIRCUIT PARTS

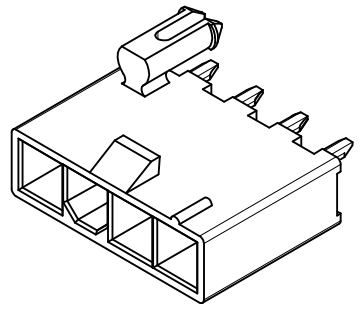
| PART NUMBER | CKT SIZE | PLATING SEE NOTE 2 | COLOR           |
|-------------|----------|--------------------|-----------------|
| 172647-0002 | 2        | TIN                | NATURAL (BEIGE) |
| 172647-0003 | 3        |                    |                 |
| 172647-0004 | 4        |                    |                 |
| 172647-0005 | 5        |                    |                 |
| 172647-0006 | 6        |                    |                 |

| PART NUMBER | CKT SIZE | PLATING SEE NOTE 2 | COLOR           |
|-------------|----------|--------------------|-----------------|
| 172647-1002 | 2        | GOLD               | NATURAL (BEIGE) |
| 172647-1003 | 3        |                    |                 |
| 172647-1004 | 4        |                    |                 |
| 172647-1005 | 5        |                    |                 |
| 172647-1006 | 6        |                    |                 |

| PART NUMBER | CKT SIZE | PLATING SEE NOTE 2 | COLOR |
|-------------|----------|--------------------|-------|
| 172647-0102 | 2        | TIN                | BLACK |
| 172647-0103 | 3        |                    |       |
| 172647-0104 | 4        |                    |       |
| 172647-0105 | 5        |                    |       |
| 172647-0106 | 6        |                    |       |

| PART NUMBER | CKT SIZE | PLATING SEE NOTE 2 | COLOR |
|-------------|----------|--------------------|-------|
| 172647-1102 | 2        | GOLD               | BLACK |
| 172647-1103 | 3        |                    |       |
| 172647-1104 | 4        |                    |       |
| 172647-1105 | 5        |                    |       |
| 172647-1106 | 6        |                    |       |

| CKT SIZE | DIM A       | DIM B        | DIM D      |
|----------|-------------|--------------|------------|
| 2        | .38 (9.6)   | .165 (4.20)  | .50 (12.8) |
| 3        | .54 (13.8)  | .331 (8.40)  | .49 (12.5) |
| 4        | .71 (18.0)  | .496 (12.60) | .50 (12.8) |
| 5        | .87 (22.2)  | .661 (16.80) | .50 (12.8) |
| 6        | 1.04 (26.4) | .827 (21.00) | .50 (12.8) |



| REV | DESCRIPTION  |
|-----|--|
| A2  | UPDATE PCB DIM.<br>IEC NO: UCP2017-1480<br>DRAWN: NGUYEN 2015/12/02<br>CHKD: JBELL 2015/12/02<br>APPR: FSMITH 2017/02/01 |

| QUALITY SYMBOLS |     |
|-----------------|-----|
| ▽=0             | ▽=0 |
| ▽=0             | ▽=0 |
| ▽=0             | ▽=0 |

| GENERAL TOLERANCES (UNLESS SPECIFIED)                |        |
|--|--------|
| 4 PLACES ± ---                                       | ± ---  |
| 3 PLACES ± ---                                       | ± .015 |
| 2 PLACES ± 0.38                                      | ± .020 |
| 1 PLACE ± 0.50                                       | ± ---  |
| 0 PLACE ± ---  | ± ---  |
| ANGULAR ±1/2°  |        |
| DRAFT WHERE APPLICABLE MUST REMAIN WITHIN DIMENSIONS |        |

| DIMENSION STYLE   |  | SCALE                       | DESIGN UNITS                              | THIRD ANGLE PROJECTION |
|---|--|-----------------------------|---|------------------------|
| IN/MM   |  | 4:1                         | METRIC                                    | ⊙                      |
| DRAWN BY NGUYEN   |  | DATE 2014/04/22             | TITLE                                     |                        |
| CHECKED BY JBELL  |  | DATE 2014/04/22             | MINI-FIT VERT HDR ASSY W/ PEGS SINGLE ROW |                        |
| APPROVED BY FSMITH  |  | DATE 2014/05/16             | molex                                     |                        |
| MATERIAL NO. SEE CHART  |  | DOCUMENT NO. SD-172647-0000 | SHEET NO. 1 OF 1                          |                        |
| THIS DRAWING CONTAINS INFORMATION THAT IS PROPRIETARY TO MOLEX INCORPORATED AND SHOULD NOT BE USED WITHOUT WRITTEN PERMISSION |  |                             |   |                        |