

Socket Outlet - EV-GBM3S-3AC32A-0,7M6,0E00 - 1408170

Please be informed that the data shown in this PDF Document is generated from our Online Catalog. Please find the complete data in the user's documentation. Our General Terms of Use for Downloads are valid (<http://phoenixcontact.com/download>)



Infrastructure Socket Outlet for charging electric vehicles with alternating current (AC), compatible with Infrastructure Plugs, GB/T, GB/T 20234.2-2015, 32 A / 440 V (AC), Single wires, length: 0.7 m, Front and rear mounting, NOTE This product version does not include a locking actuator.

Product Description

Infrastructure Socket Outlet for charging electric vehicles (EV) with alternating current (AC), compatible with GB/T Infrastructure Plugs, for installation at charging stations for E-Mobility (EVSE)

Why buy this product

- ✓ Uniform, space-saving installation space of all Phoenix Contact Infrastructure Socket Outlets
- ✓ Silver-plated surface of the power and signal contacts
- ✓ Certified in accordance with IATF 16949:2016 and ISO 9001:2015
- ✓ Material data available in the IMDS (International Material Data System of the automotive industry)
- ✓ Manual emergency release of the locking actuator
- ✓ Integrated interlock during charging



Key Commercial Data

Packing unit	1 STK
GTIN	
GTIN	4046356856041

Technical data

Product definition

Product type	Infrastructure Socket Outlet for charging electric vehicles with alternating current (AC), compatible with Infrastructure Plugs
Type	Hinged cover screw connection at the rear
Standards/regulations	GB/T 20234.2-2015
Charging standard	GB/T
Charging mode	Mode 3, Case B
Note	NOTE This product version does not include a locking actuator.
	Make sure that the Infrastructure Plug is locked into the Infrastructure Socket Outlet during the charging process according to IEC 61851-1.

Socket Outlet - EV-GBM3S-3AC32A-0,7M6,0E00 - 1408170

Technical data

Product definition

	We recommend using our locking actuators (1624129, 1622317). If another type of locking is selected, we recommend sealing the mounting surface (1621465), see also accessories.
Note on the connection method	Crimp connection, cannot be disconnected

Dimensions

Height	79.5 mm
Width	75 mm
Depth	70.8 mm
Bore dimensions	60 mm x 60 mm
Conductor length	0.7 m (AC cables)
Cable structure	5x 6.0 mm ² + 2x 0.5 mm ²
Type of conductor	Single wires

Ambient conditions

Ambient temperature (operation)	-30 °C ... 50 °C
Ambient temperature (storage/transport)	-40 °C ... 80 °C
Max. altitude	5000 m (above sea level)
Degree of protection	IP55 (plugged in)
	IP55 (with hinged cover, see accessories)

Electrical properties

Maximum charging power	14 kW
Type of charging current	AC 3-phase
Number of phases	3
Number of power contacts	5 (L1, L2, L3, N, PE)
Rated current of power contacts	32 A
Rated voltage for power contacts	440 V AC
Number of signal contacts	2 (CP, CC)
Rated current for signal contacts	2 A
Rated voltage for signal contacts	30 V AC
Type of signal transmission	Pulse width modulation

Mechanical properties

Insertion/withdrawal cycles	> 10000
Insertion force	< 100 N
Withdrawal force	< 100 N

Mounting

Possible mounting positions	Front and rear mounting
Restrictions to mounting position	Only 0 to 90 degree frontal inclination possible, see figure
Mounting position of the locking actuator	Not pre-assembled, top center mounting possible
Required installation depth	< 5 mm (Rear panel mounting)
	< 10 mm (Front mounting)

Socket Outlet - EV-GBM3S-3AC32A-0,7M6,0E00 - 1408170

Technical data

Mounting

Max. wall thickness	< 51.8 mm (Front mounting)
	> 57 mm (Rear panel mounting)
Mounting hole diameter	7.00 mm (ø)

Design

Design line	Standard
Housing color	black
Customer variations	On request

Material

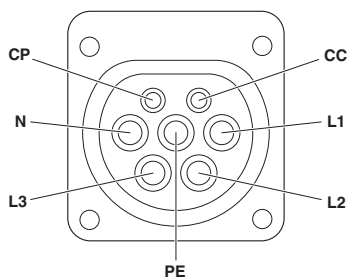
Material	Plastic
Material surface of contacts	Ag

Environmental Product Compliance

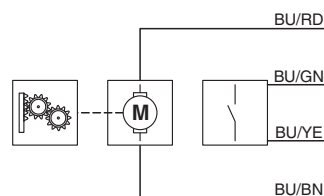
REACH SVHC	Lead 7439-92-1
China RoHS	Environmentally Friendly Use Period = 10;
	For details about hazardous substances go to tab "Downloads", Category "Manufacturer's declaration"

Drawings

Connection diagram



Block diagram

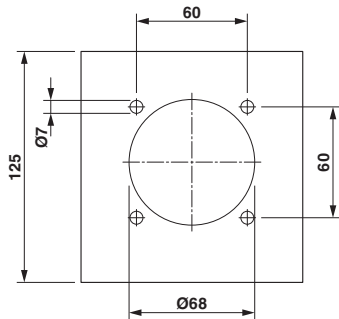


Block diagram of the locking actuator

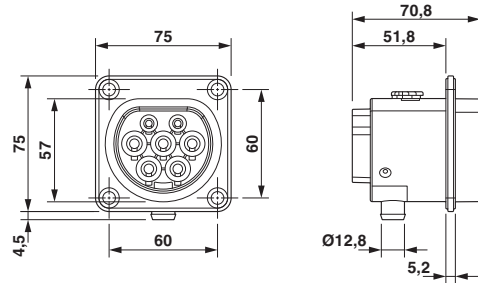
Pin assignment of Infrastructure Socket Outlet

Socket Outlet - EV-GBM3S-3AC32A-0,7M6,0E00 - 1408170

Dimensional drawing



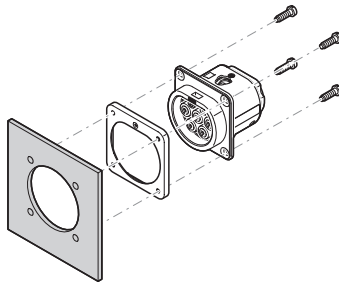
Dimensional drawing



Dimensional drawing

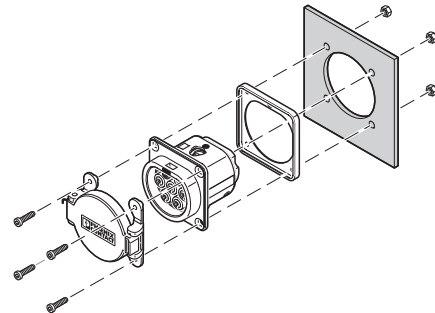
Hole image

Schematic diagram



Rear mounting

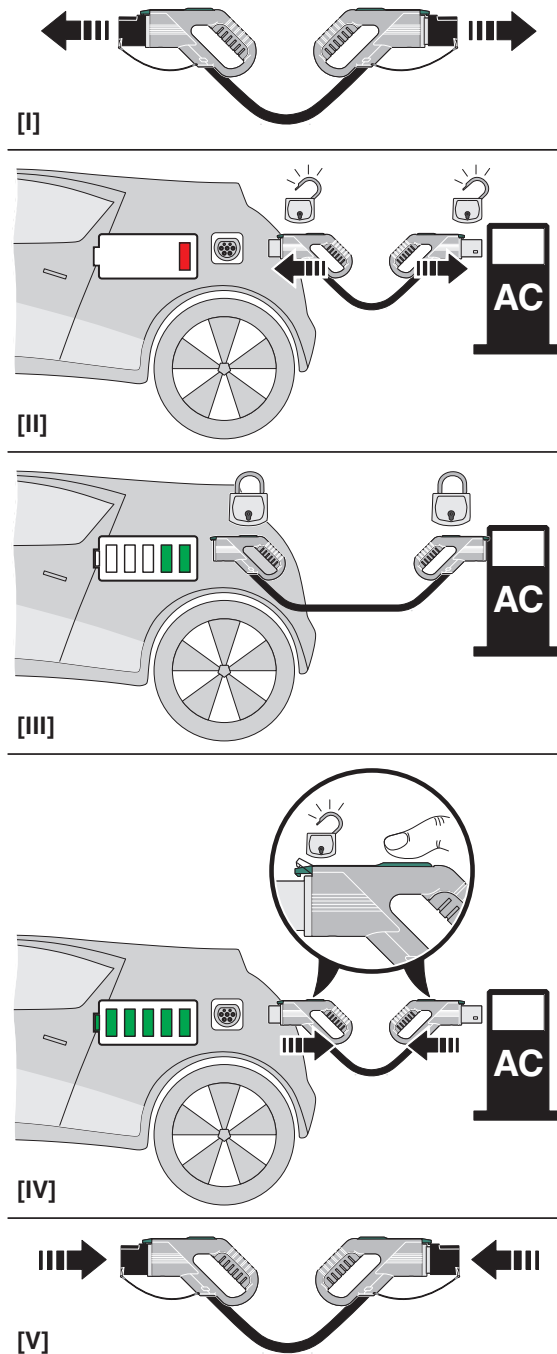
Schematic diagram



Front mounting with rear hinged cover screw connection
The screw connection for a hinged cover from the accessories range (EV-GBSC...) only supports rear mounting.

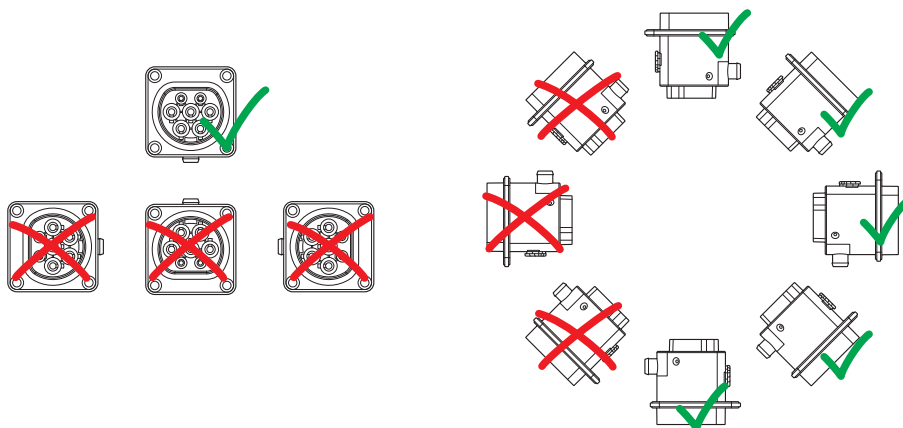
Socket Outlet - EV-GBM3S-3AC32A-0,7M6,0E00 - 1408170

Schematic diagram



Socket Outlet - EV-GBM3S-3AC32A-0,7M6,0E00 - 1408170

Schematic diagram



Installation positions

Phoenix Contact 2018 © - all rights reserved
<http://www.phoenixcontact.com>

PHOENIX CONTACT GmbH & Co. KG
Flachsmarktstr. 8
32825 Blomberg
Germany
Tel. +49 5235 300
Fax +49 5235 3 41200
<http://www.phoenixcontact.com>