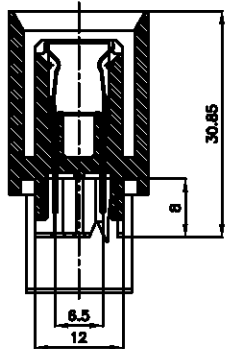


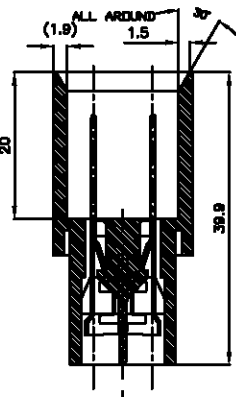
THIS DRAWING IS UNCLASSIFIED
 RELEASED FOR PUBLICATION
 BY THE ELECTRONICS CORPORATION, ALL RIGHTS RESERVED.

REV	DATE	DESCRIPTION	BY	CHK	APP
ES	00				
A		REVISED FB00-0217-04			

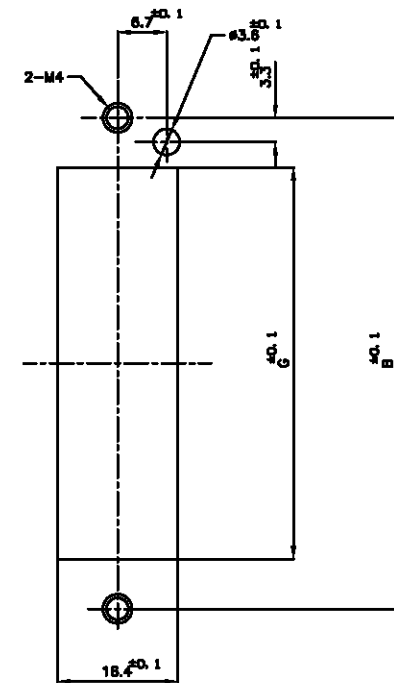
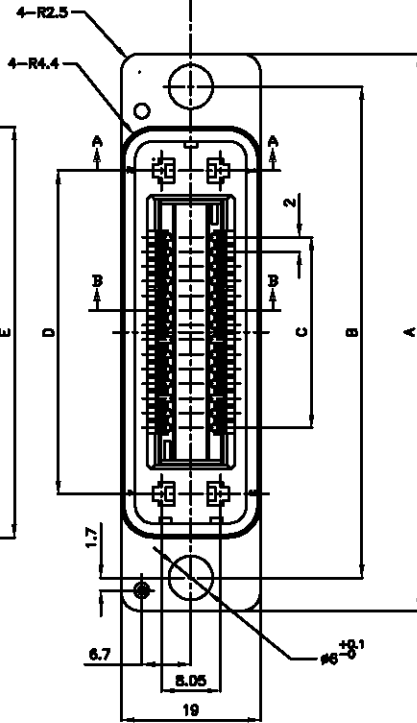
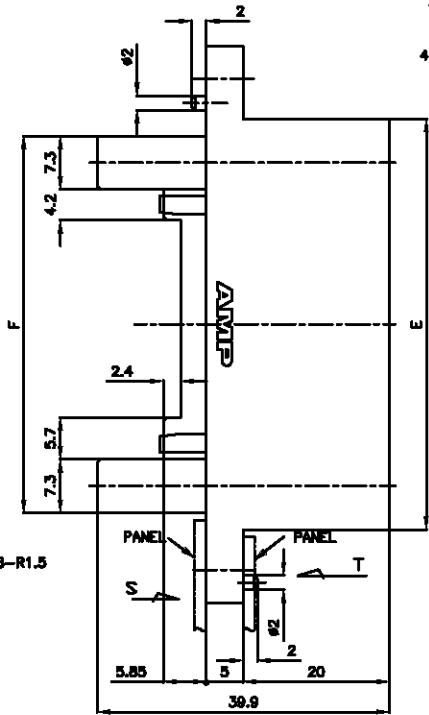
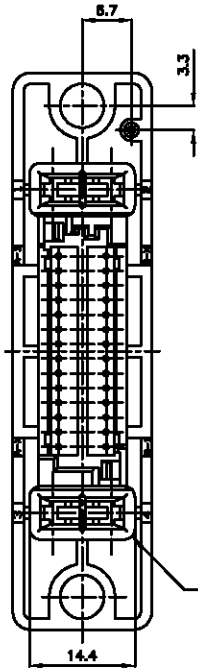
SIGNAL SECTION
SECTION B-B



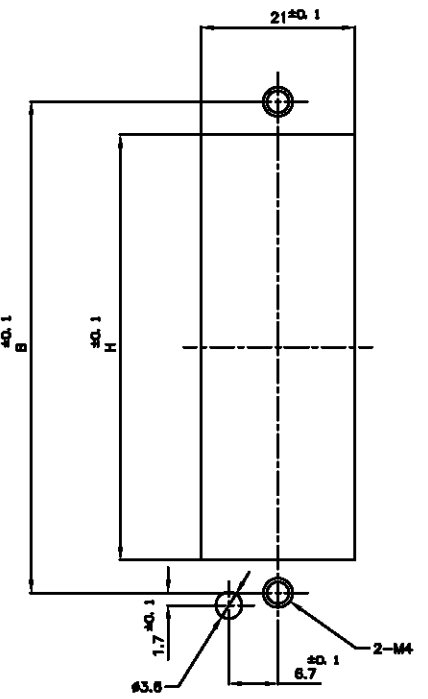
POWER SECTION
SECTION A-A



PANEL CUT DIMENSIONS



VIEW S



VIEW T

NOTES

- MATERIAL
HOUSING THERMO PLASTIC
CONTACTS COPPER ALLOY
- CONTACT FINISH
MATING SIDE NICKEL PL. ALL OVER GOLD PL.
CT MATING SIDE NICKEL PL. ALL OVER MATTE TIN PL.
- APPLIED POWER CONTACT P/N

FINISH	AWG	STRIP	LOOSE PIECE
GOLD PL.	#16-#20	1-179321-3	
TIN PL.	#16-#20	1-179321-2	
	#20-#24	1-179322-2	

P: NUMBER OF POWER CONTACT (UNLOADED)
 S: NUMBER OF SIGNAL CONTACT (PRELOADED)

2- 1 -B	1- 1 -4	2- 1 -B	58	53.4	51.4	56	44.1	26	67	76	4-2B	2- 1 -B
2-175133-0	1-173977-0	2-292185-0	50	45.4	43.4	48	36.1	18	59	68	4-20	2-292181-0
APPLIED CT HELDER P/N	APPLIED CT COIL P/N	MATING COUNTER P/N	H	G	F	E	D	C	B	A	PDS (P-S)	P/N

THIS DRAWING IS A CONTROLLED DOCUMENT.

DESIGNER: MM	TOLERANCE P/L: SEE NOTE
DATE: 11/14/02	FINISH: SEE NOTE
APPROVED: SEE NOTE	

FOR J. LIANG
 BY S. YAO
 T. SASAKI
 108-60022
 114-5102
 114-5238

THIS DRAWING IS A CONTROLLED DOCUMENT.
 Type Electronics Corporation
 Shenzhen, P.R.China, 200233

HYBRID MINI DRAWER CONN.
 PLUG ASS'Y

SCALE: 2:1
 SHEET: 1 OF 1

TOLERANCE UNLESS OTHERWISE SPECIFIED
 10µ ±0.2
 30µ > 10 ±0.25
 100µ > 30 ±0.3
 ANGLE ±3'