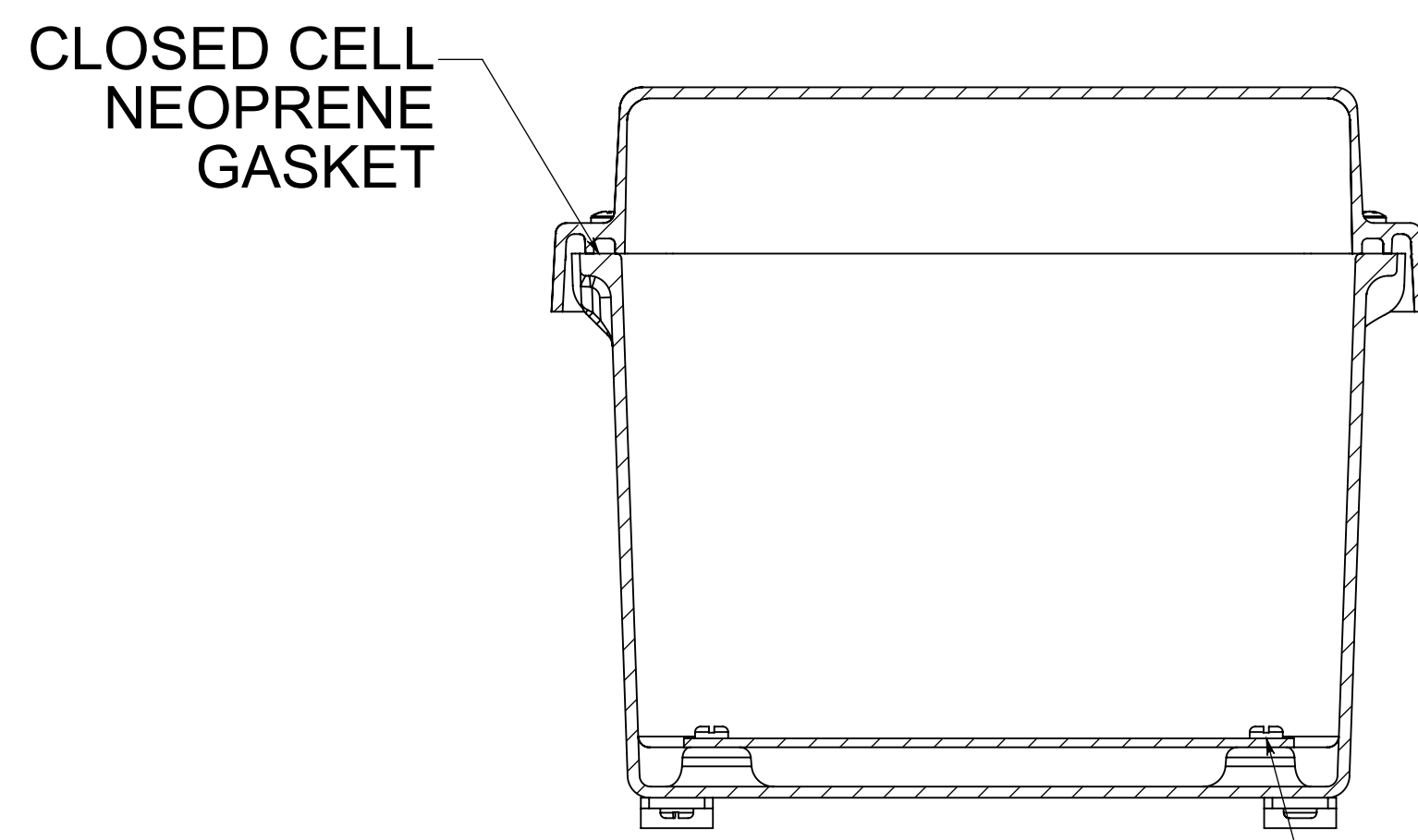
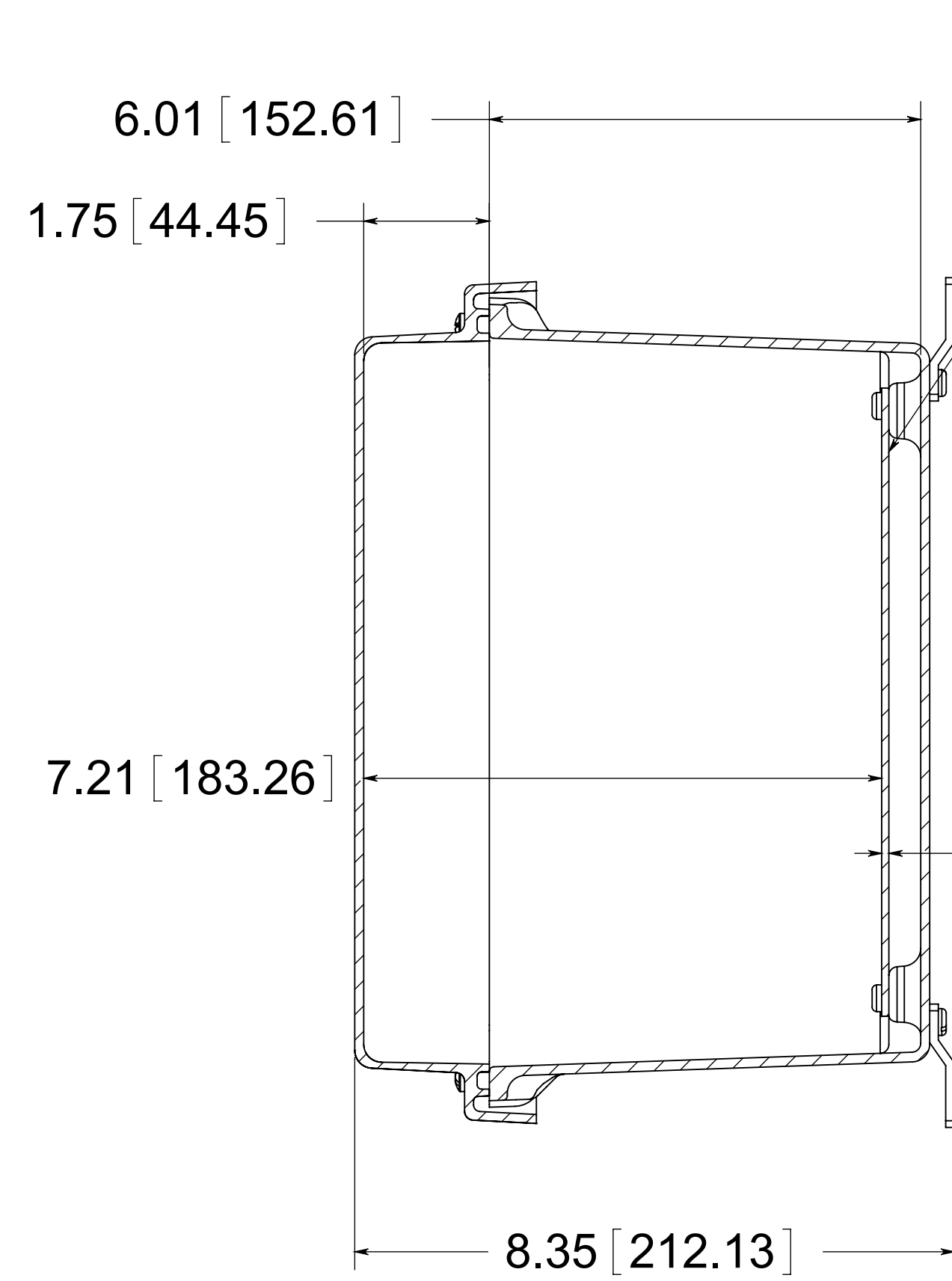


(4) EACH #10-32 BRASS INSERTS AND STAINLESS STEEL CAPTIVE COVER SCREWS WITH RETAINING O-RING



(4) EACH #10-32 BRASS INSERTS AND PLATED CARBON STEEL SCREWS

**MATERIAL:**  
 BOX- COMPRESSION MOLDED FIBERGLASS REINFORCED POLYESTER  
 COVER- COMPRESSION MOLDED FIBERGLASS REINFORCED POLYESTER  
 WINDOWS- POLYCARBONATE

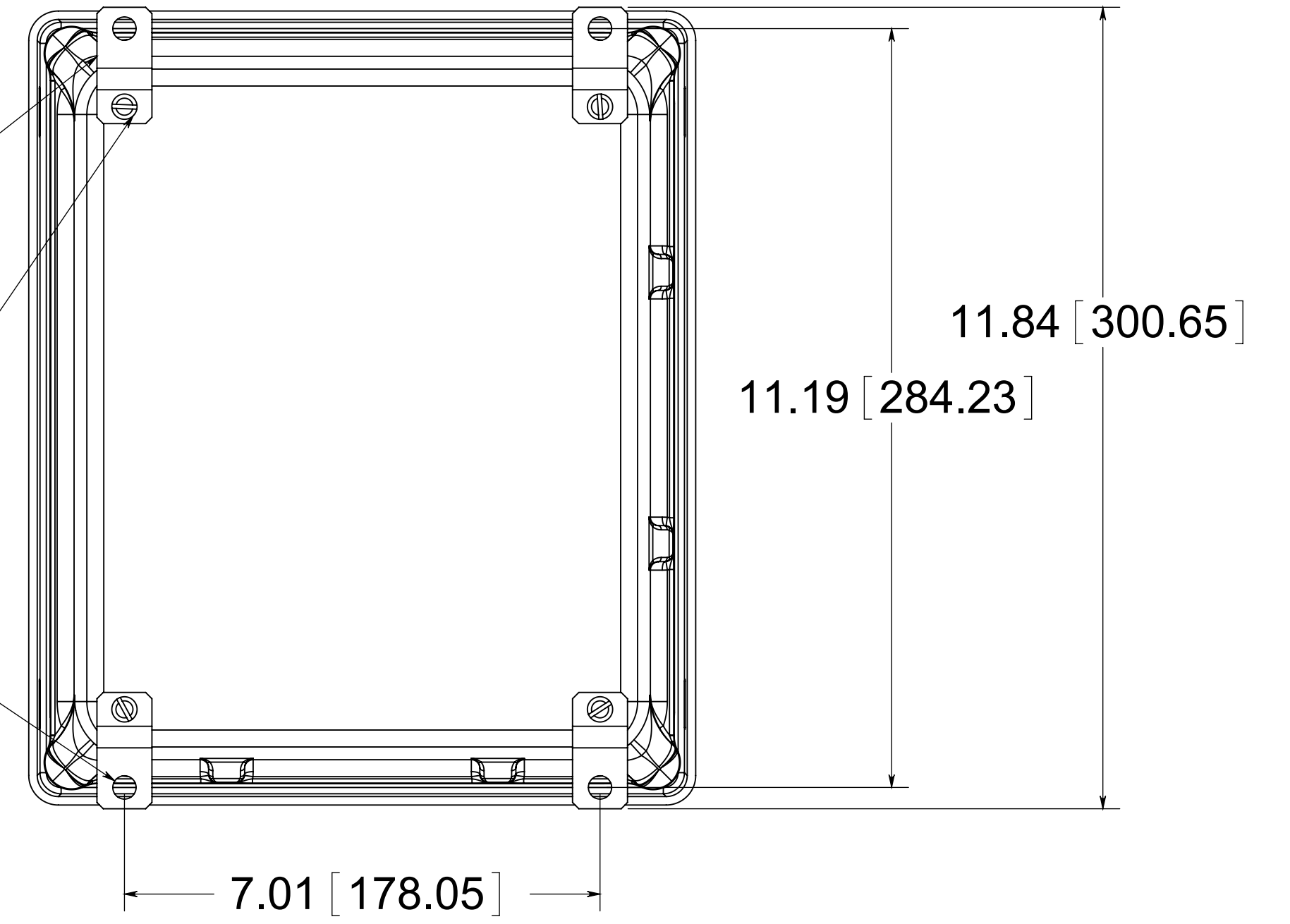


OPTIONAL BACK PANEL  
 0.100 [2.54] TH'K- ALUMINUM  
 0.075 [1.91] TH'K- WHITE STEEL & GALVANEALD  
 0.125 [3.18] TH'K- FIBERGLASS

(4) STAINLESS STEEL MOUNTING FEET

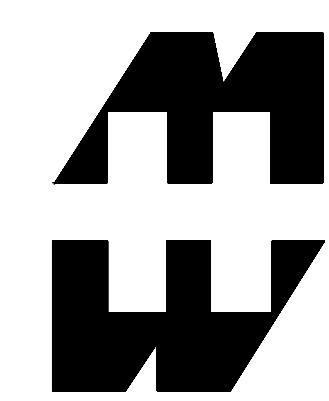
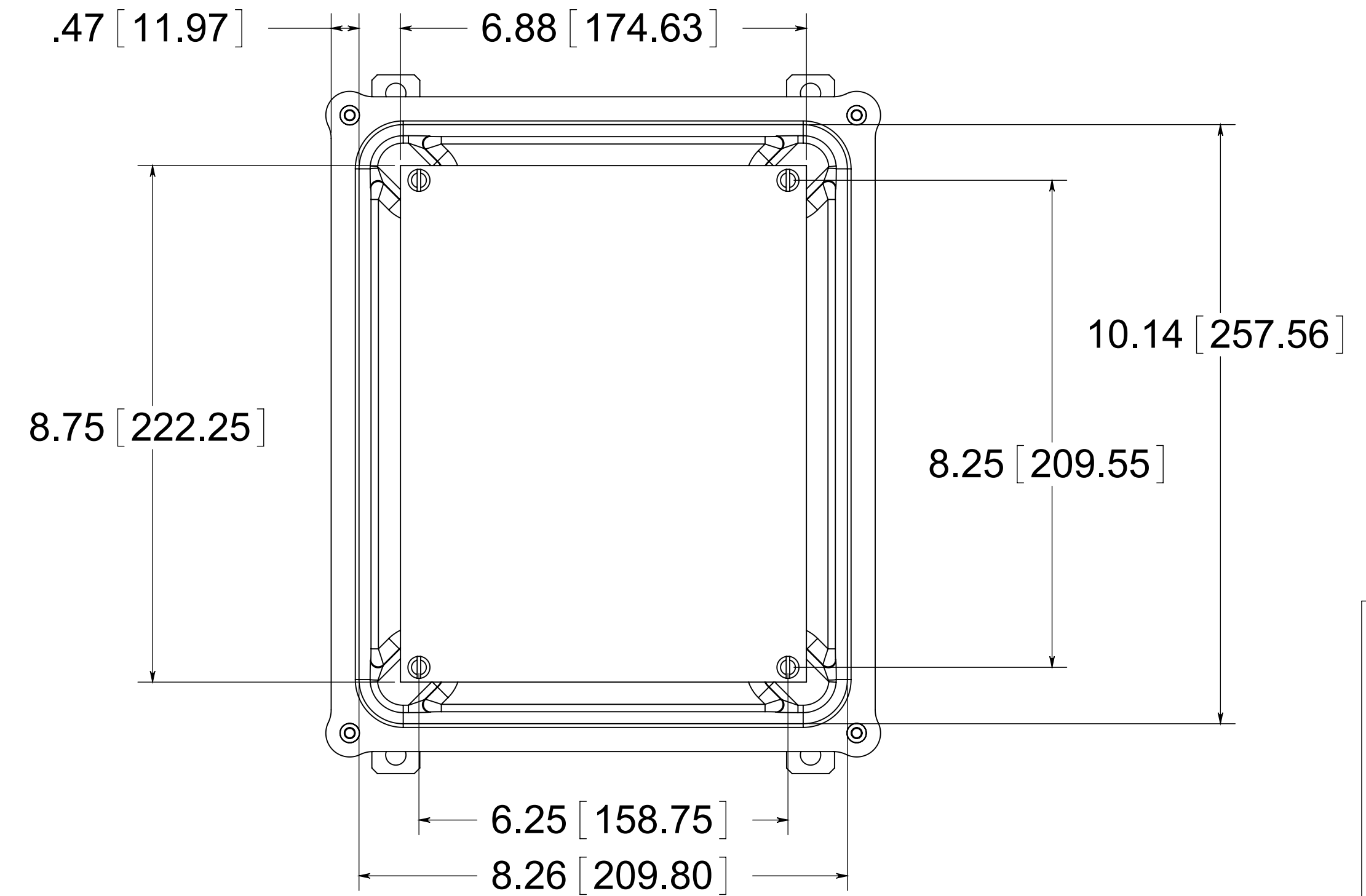
(4) EACH #10-32 BRASS INSERTS, AND STAINLESS STEEL FEET SCREWS

(4)  $\phi$ .34 [8.74]



BACK VIEW

FRONT VIEW WITH COVER REMOVED AND BACK PANEL SHOWN



**PART No. PJ1086R**  
 for more information visit  
[www.hammfg.com](http://www.hammfg.com)  
 Data subject to change without notice  
 Drawing Not to Scale