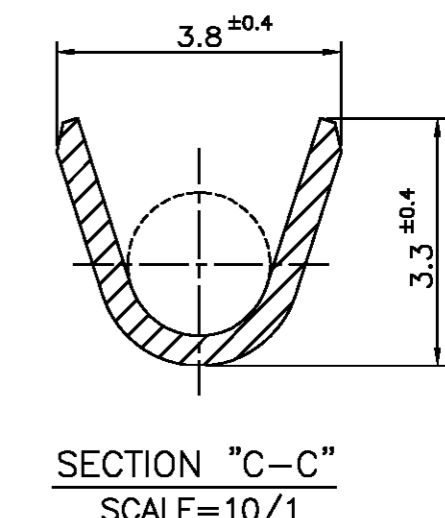
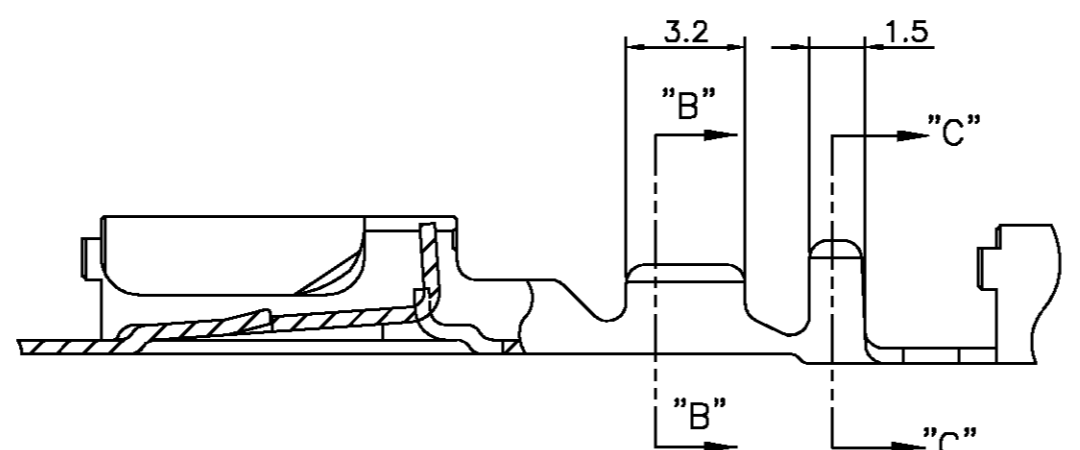
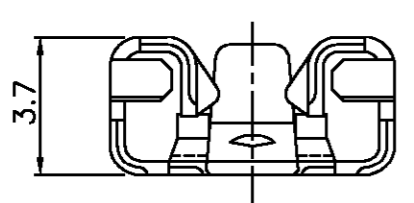
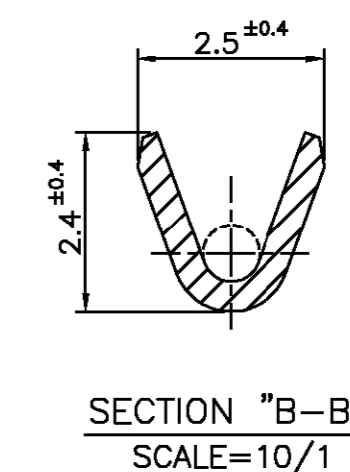
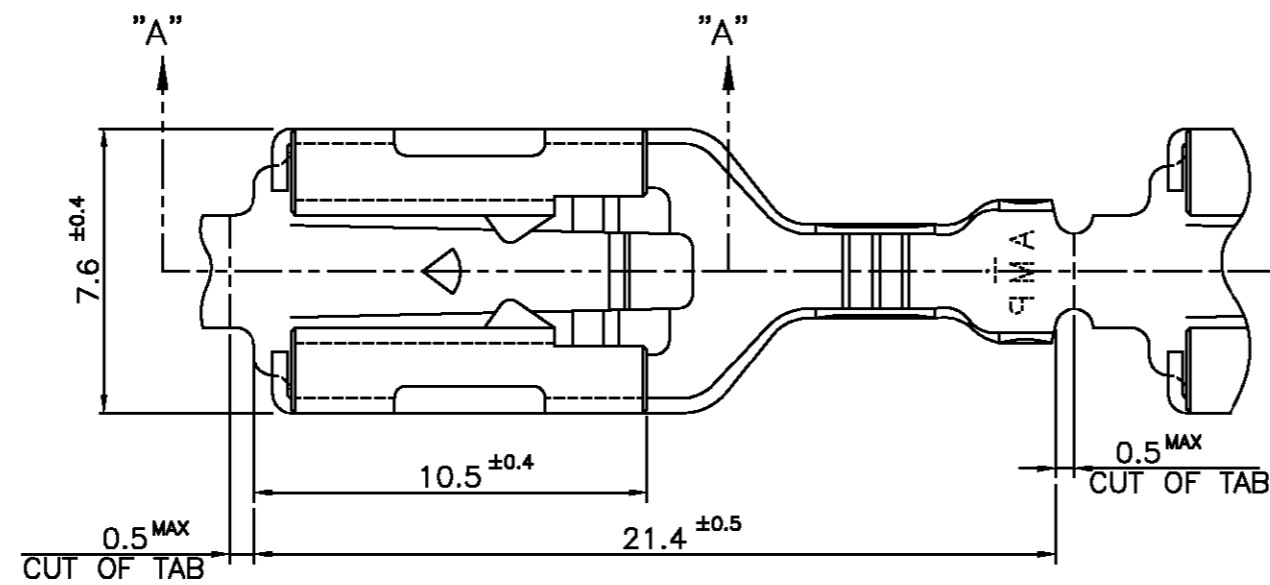
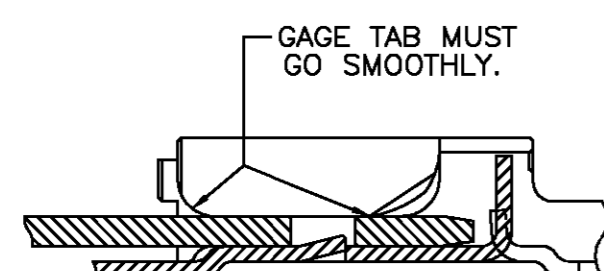


THIS DRAWING IS UNPUBLISHED. RELEASED FOR PUBLICATION ,1997 .
 © COPYRIGHT 1997 BY AMP KOREA. ALL RIGHTS RESERVED.

LOC	DIST	REVISIONS			
P	LTR	DESCRIPTION	DATE	DWN	APVD
DS					
	0	RELEASED (ME96-259)	AUG.14'96	YM	HG
	A	REVISED (RD96-306)	SEP.23'96	YM	CS
	A1	REVISED (FC00-0087-00)	JUN.29.'00	HS	CS



SECTION "A-A"



MATING GAGE TAB.

1.5 ~ 2.4 mm	0.30 ~ 0.56 mm ²	368037-2
INSULATION DIA.	WIRE RANGE(mm ²)	PART NUMBER

THIS DRAWING IS CONTROLLED DOCUMENT FOR AMP KOREA. IT IS SUBJECT TO CHANGE AND THE CONTROLLING ENGINEERING ORGANIZATION SHOULD BE CONTACTED FOR THE LATEST REVISION.		DWNHS BAE	AMP AMP KOREA. kyungsan, korea		
DIMENSIONS: MM		CHKJK SONG			
TOLERANCES UNLESS OTHERWISE SPECIFIED: 0 <XX<10 ± 0.2 10 <XX<30 ± 0.25 30 <XX<100 ± 0.3 ANGLES ± 3°		APVD CS LEE	NAME "250" SERIES AUTOMOTIVE POSITIVE LOCK RECEPTACLE.		
MATERIAL ZKLF-5 #6		FINISH PRE-TIN	PRODUCT SPEC	SIZE A3	CAGE CODE 00779
			APPLICATION SPEC	DRAWING NO C- 368037	
			WEIGHT	SCALE 5/1	SHEET 1 OF 1
				REV A1	