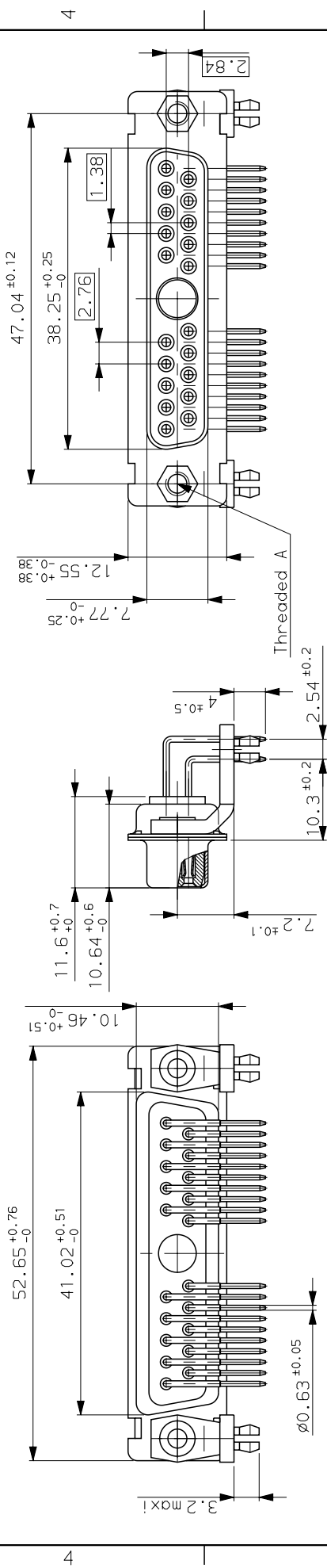
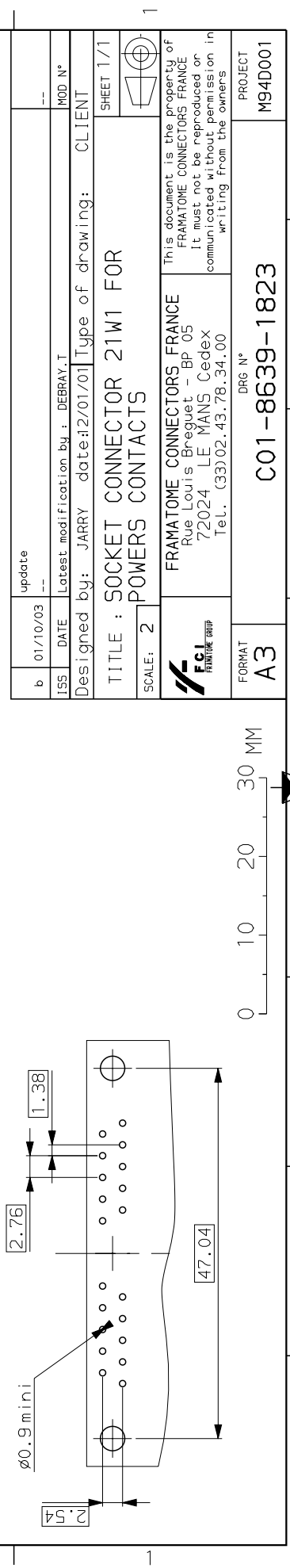


GENERAL CHARACTERISTICS : SEE DRAWING C01-8639-0000



DB021W1S500G00	UNC 4.40
DBL21W1S500G00	M3
PART NUMBER	Threaded A

LAYOUT DIMENSIONS (after plating)
CONNECTOR SIDE VIEW



b	01/10/03	update	--
ISS DATE	Latest modification by : DEBRAY.T	MOD N°	--
Designed by: JARRY date:12/01/01 Type of drawing: CLIENT			
TITLE : SOCKET CONNECTOR 21W1 FOR POWERS CONTACTS			
SCALE: 2	SHEET 1/1		
	FRAMATOME CONNECTORS FRANCE		This document is the property of FRAMATOME CONNECTORS FRANCE It must not be reproduced or communicated without permission in writing from the owners
	Rue Louis Breguet - Bp 05 72024 LE MANS Cedex Tel. (33)02.43.78.34.00		
FORMAT A3	DRG N°	PROJECT M94D001	
C01-8639-1823			