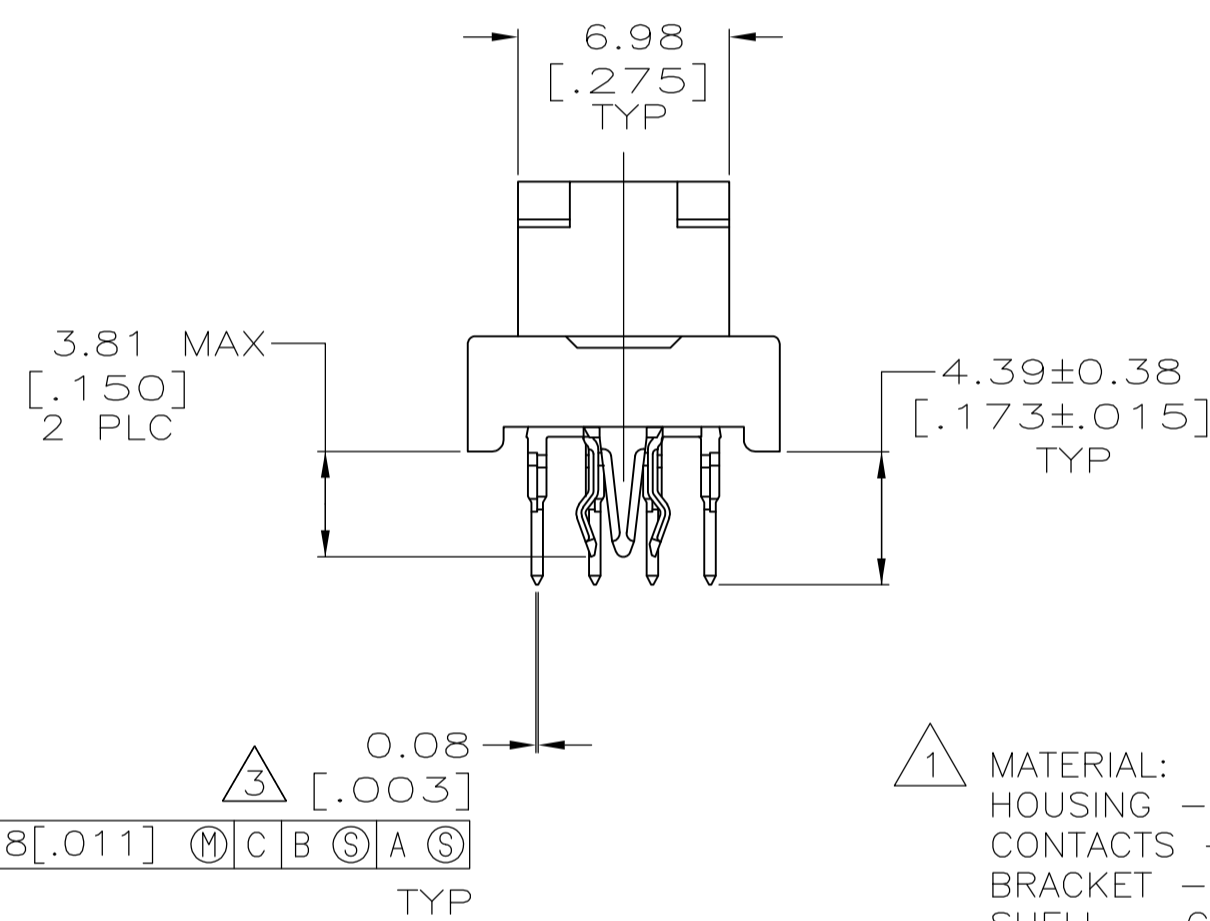
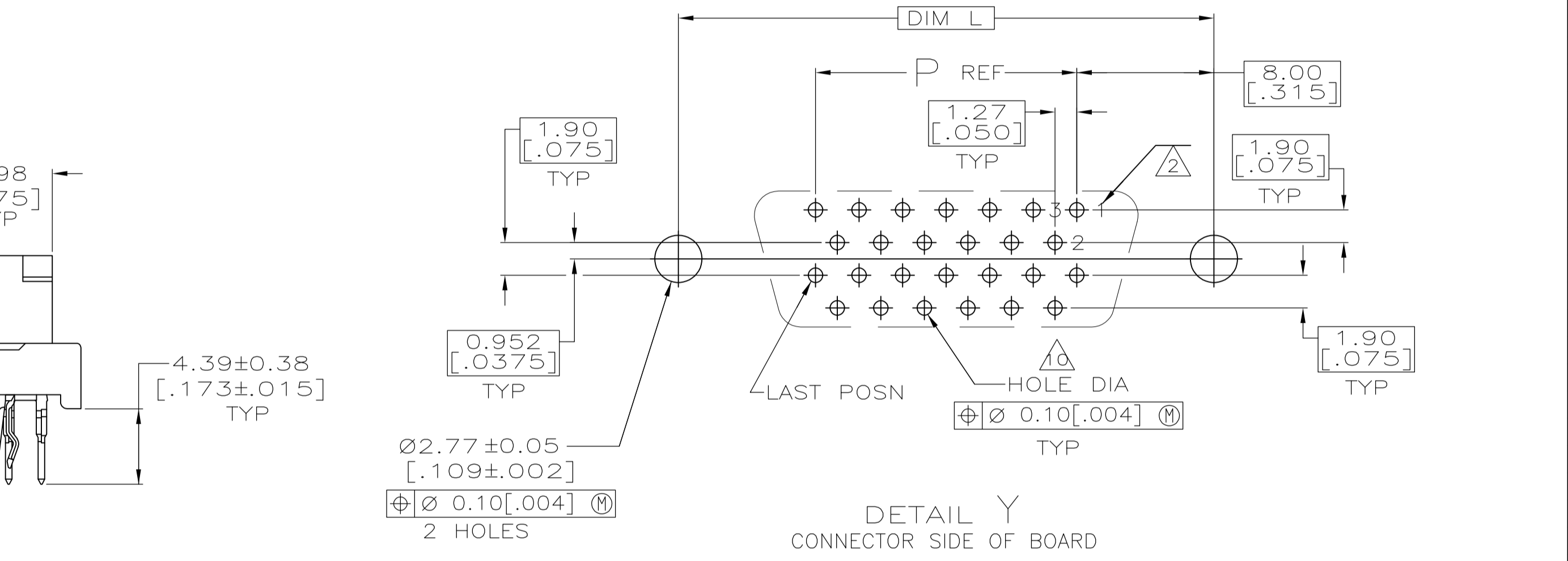
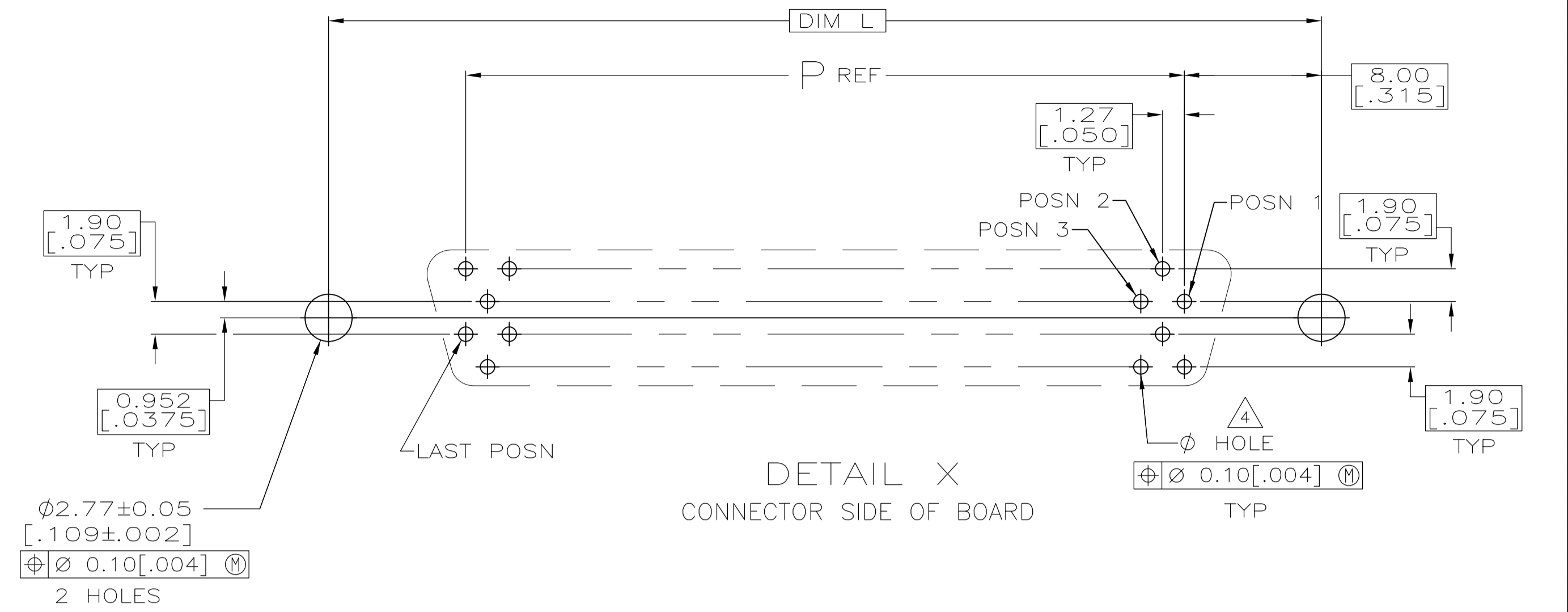
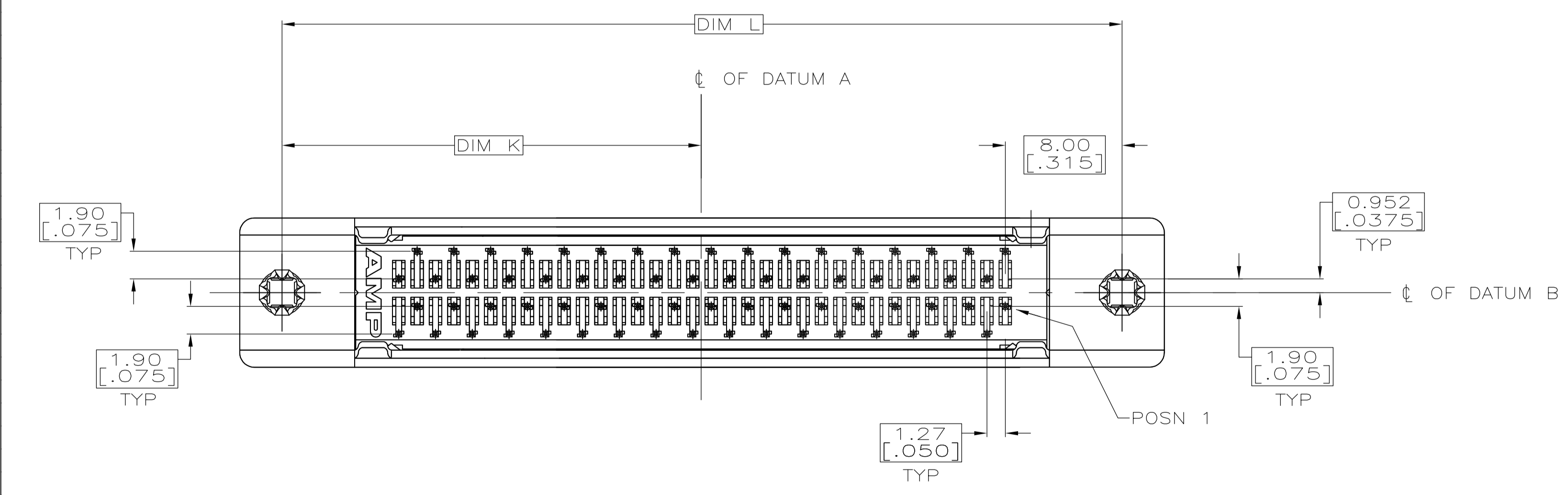
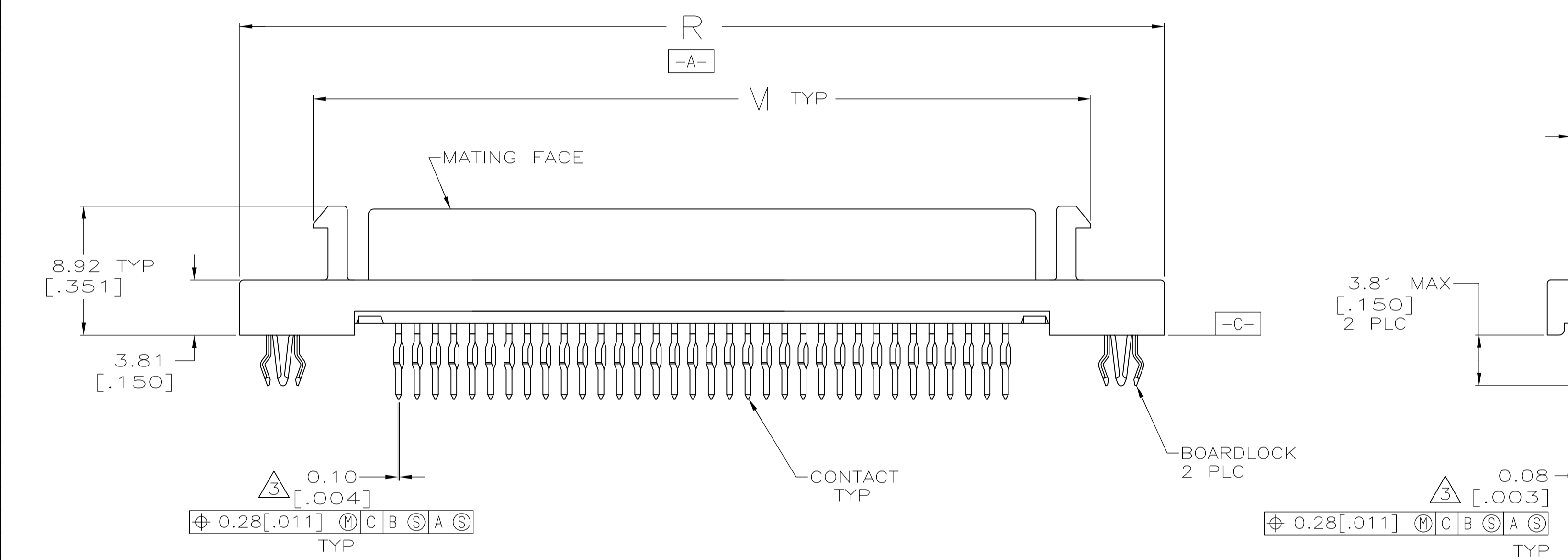
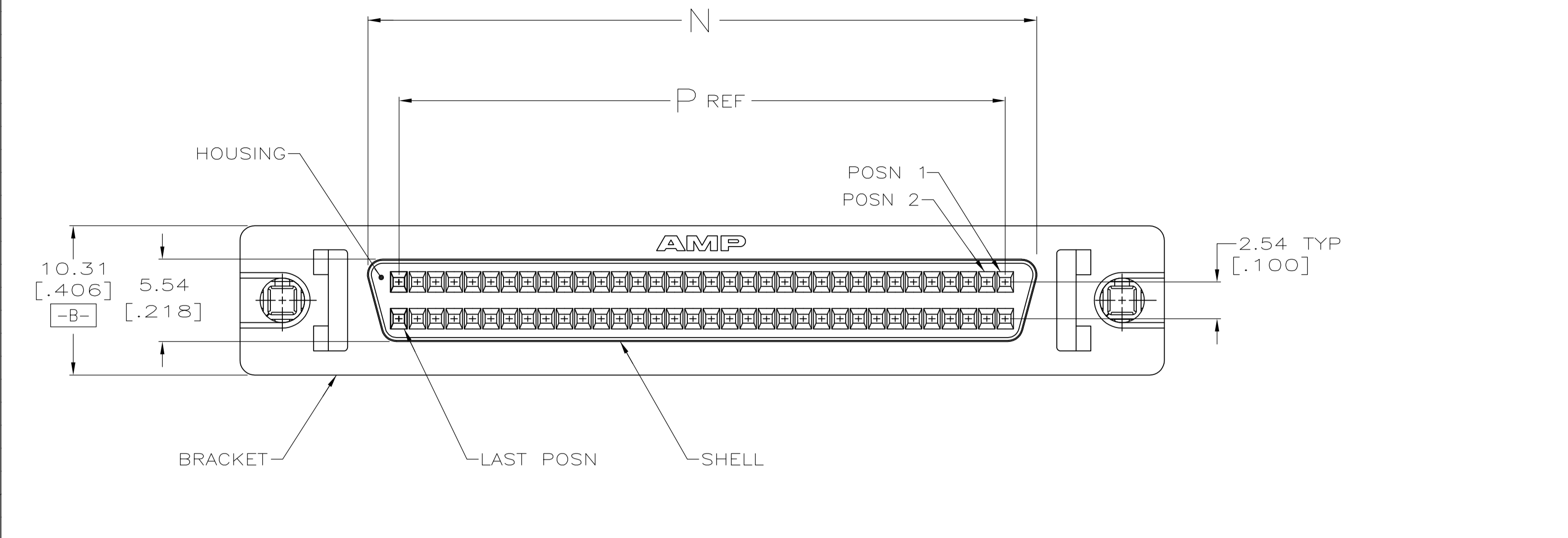


LOC		DIST		REVISIONS			
GP	00	F	LTR	DESCRIPTION	DATE	DMN	APVD
		A		REVISED PER ECO-08-018735	5AUG2008	ZMR	BAS
		A1		REVISED PER ECO-10-000444	19JAN10	KK	HMR



- 1 MATERIAL:  
 HOUSING - POLYESTER, BLACK, UL 94V-0 RATED.  
 CONTACTS - PHOSPHOR BRONZE.  
 BRACKET - ZINC.  
 SHELL - CARBON STEEL.  
 BOARDLOCKS - COPPER ALLOY.
- 2 FINISH:  
 BRACKET - 2.54µm [.000100] MIN NICKEL OVER 5.08µm [.000200] MIN COPPER.  
 SHELL - 5.08µm [.000200] MIN NICKEL OVER 1.27µm [.000050] MIN COPPER.  
 BOARDLOCKS - 3.81µm [.000150] MIN TIN OVER 1.27µm [.000050] MIN NICKEL.  
 CONTACTS - EITHER 0.76µm [.000030] MIN GOLD PLATE OR GOLD FLASH OVER PALLADIUM NICKEL PLATE, 0.76µm [.000030] MIN TOTAL, FOR A LENGTH OF 0.64 [.025] MIN, 0.13 [.005] MAX FROM MATING END, 1.27µm [.000050] MIN TIN ON OPPOSITE END FOR A LENGTH OF 4.78 [.188] MIN, ALL OVER 1.27µm [.000050] MIN NICKEL UNDERPLATE.
- 3 POSITION TOLERANCE APPLIES AT TIP ONLY.
- 4 PC BOARD HOLE RECOMMENDATIONS:  
 A. HOLES SHOULD BE DRILLED WITH A 0.701 [.0276] DRILL.  
 B. PC BOARD PLATING TO BE 7.62µm [.000300] MIN TIN OVER 0.025 [.0010]-0.038 [.0015] COPPER.  
 C. RECOMMENDED HOLE SIZE AFTER TIN PLATING IS 0.56-0.66 [.022-.026].
- 5 OBSOLETE PARTS: OBSOLETE CIS STREAMLINING PER D.RENAUD/D.SINISI

5  
OBSOLETE

PER DETAIL Y	52.45 [2.065]	30.48 [1.200]	34.70 [1.366]	42.29 [1.665]	46.48 [1.830]	23.24 [.915]	50	6364676-4
PER DETAIL Y	37.21 [1.465]	15.24 [.600]	19.46 [.766]	27.05 [1.065]	31.24 [1.230]	15.62 [.615]	26	-6364676-3-
PER DETAIL X	84.20 [3.315]	62.23 [2.450]	66.45 [2.616]	74.04 [2.915]	78.23 [3.080]	39.12 [1.540]	100	-6364676-2-
PER DETAIL X	63.88 [2.515]	41.91 [1.650]	46.13 [1.816]	53.72 [2.115]	57.91 [2.280]	28.96 [1.140]	68	-6364676-1-
RECOMMENDED PCB MOUNTING DIMENSIONS	R	P	N	M	L	K	NO OF POSN	PART NUMBER

THIS DRAWING IS A CONTROLLED DOCUMENT. DIMENSIONS: mm [INCHES]. TOLERANCES UNLESS OTHERWISE SPECIFIED: 0 PLC ± .01, 1 PLC ± .01, 2 PLC ± .01, 3 PLC ± .01, 4 PLC ± .01, ANGLES ± .01.

DIN L VARELA - 02-22-05  
 CHK S SHUEY 02-22-05  
 APVD M WALMSLEY 02-22-05  
 NAME M WALMSLEY  
 PRODUCT SPEC 108-1228  
 APPLICATION SPEC 114-40029  
 WEIGHT -  
 CUSTOMER DRAWING

Tyco Electronics Corporation  
 Harrisburg, PA 17105-3608

RECEPTACLE ASSEMBLY, SHIELDED, VERTICAL, ACTION PIN FOR .062 TO .093 THICK BOARD, AMPLIMITE .050 SERIES

SIZE A1  
 CAGE CODE 00779  
 DRAWING NO 6364676  
 SCALE 4:1  
 SHEET 1 OF 1  
 REV A1