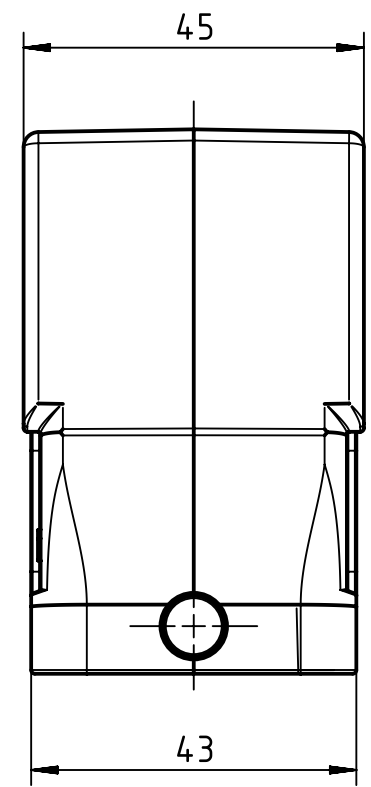
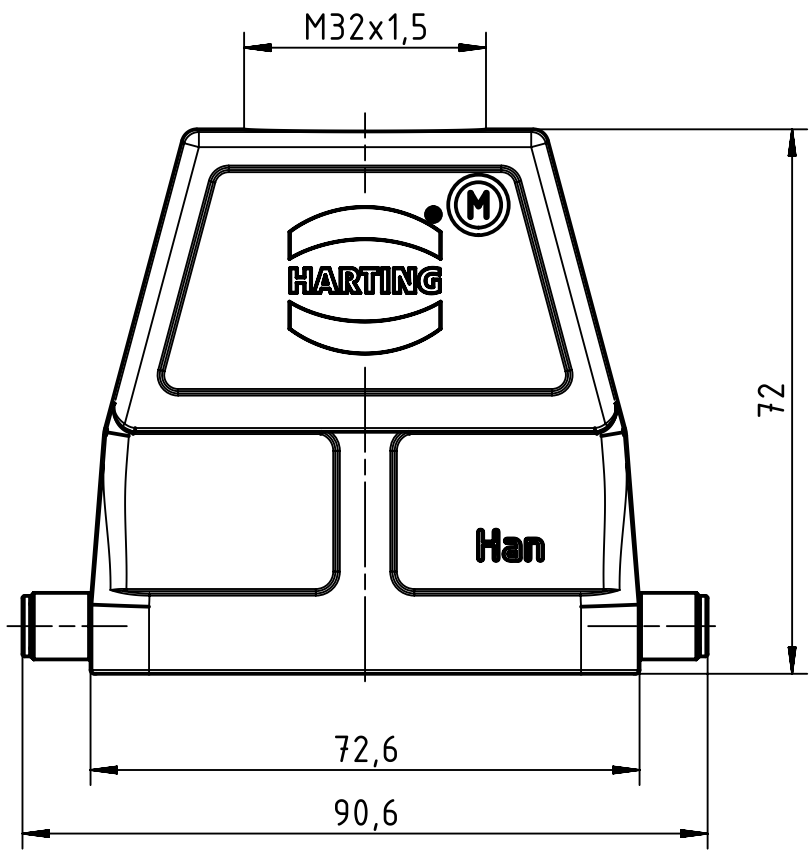
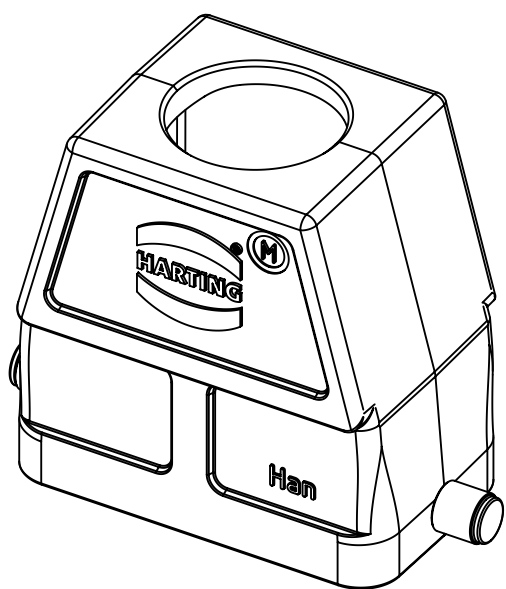


A

B

C

D



	All Dimensions in mm Original Size DIN A4		Scale 1:1	Free size tol.		Ref.
						Sub.
	All rights reserved		Created by SCHULZI	Inspected by BERGHORN	Standardisation TIEMANNA	Date 2014-07-21
	Department EL PD - DE					State Final Release
HARTING Electric GmbH & Co. KG D-32339 Espelkamp			Title Han 10B-gg-R-M32			Doc-Key / ECM-Nr. 100231653/UGD/004/A 500000061817
			Type TB	Number 19 30 010 0447		Rev. A
						Page 1/1