

4

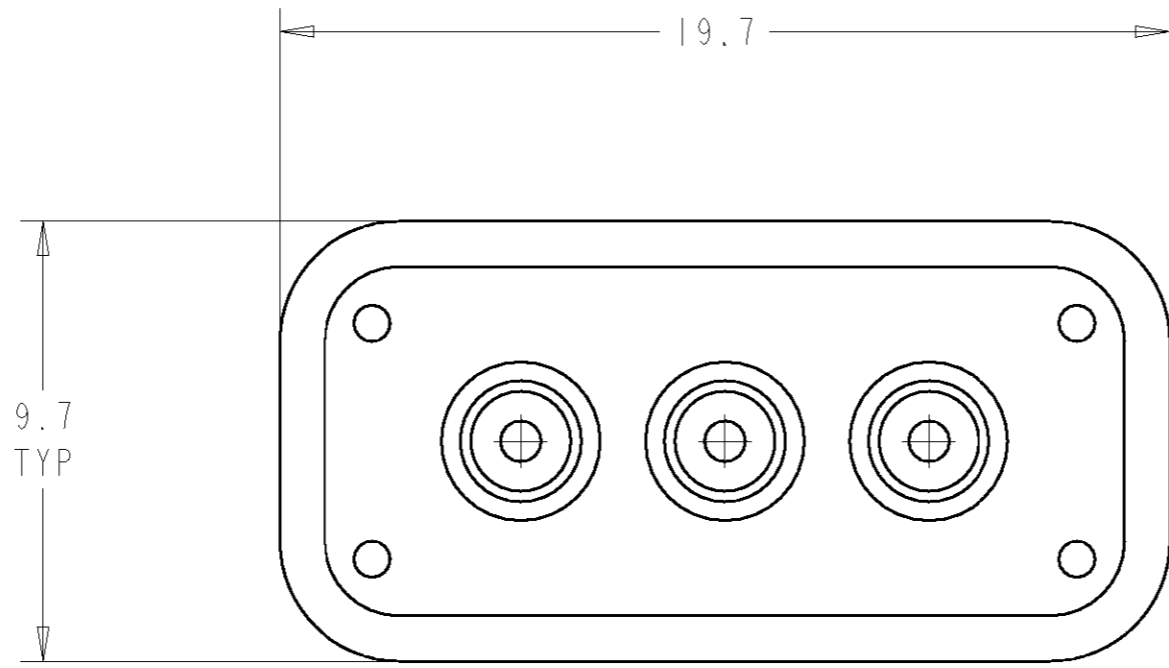
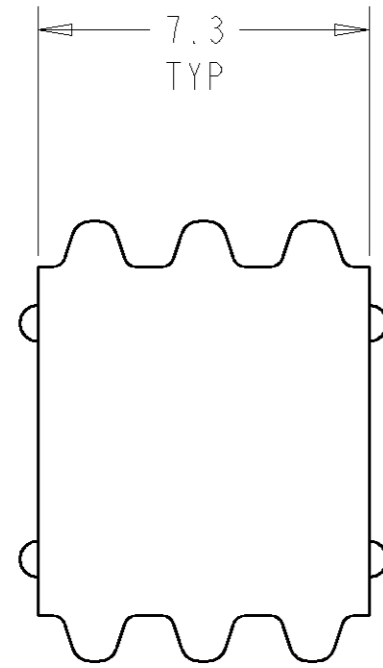
3

2

1

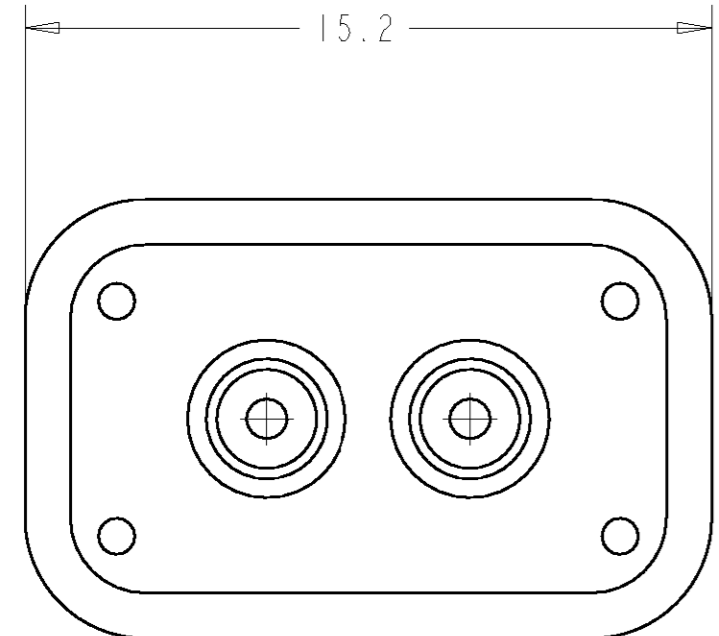
THIS DRAWING IS UNPUBLISHED. RELEASED FOR PUBLICATION 20
 © COPYRIGHT 20 BY TYCO ELECTRONICS CORPORATION. ALL RIGHTS RESERVED.

LOC	DIST	REVISIONS					
GE	00	P	LTR	DESCRIPTION	DATE	DWN	APVD
		A		REL PER EC OK40-0343-04	01OCT2004	WH	JP
		B		REV PER ECR-07-015392	28JUN2007	WH	JS

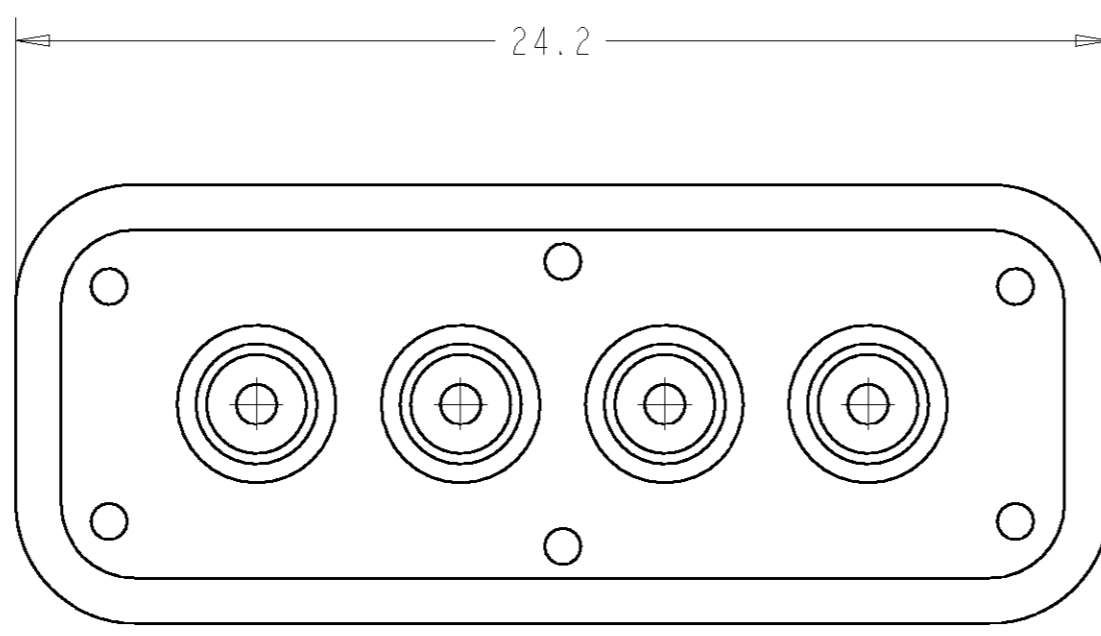


- MATERIAL: SILICONE RUBBER, COLOR: SEE TABLE
- RECOMMENDED WIRE DIAMETER RANGE IS 1.30 to 2.54mm

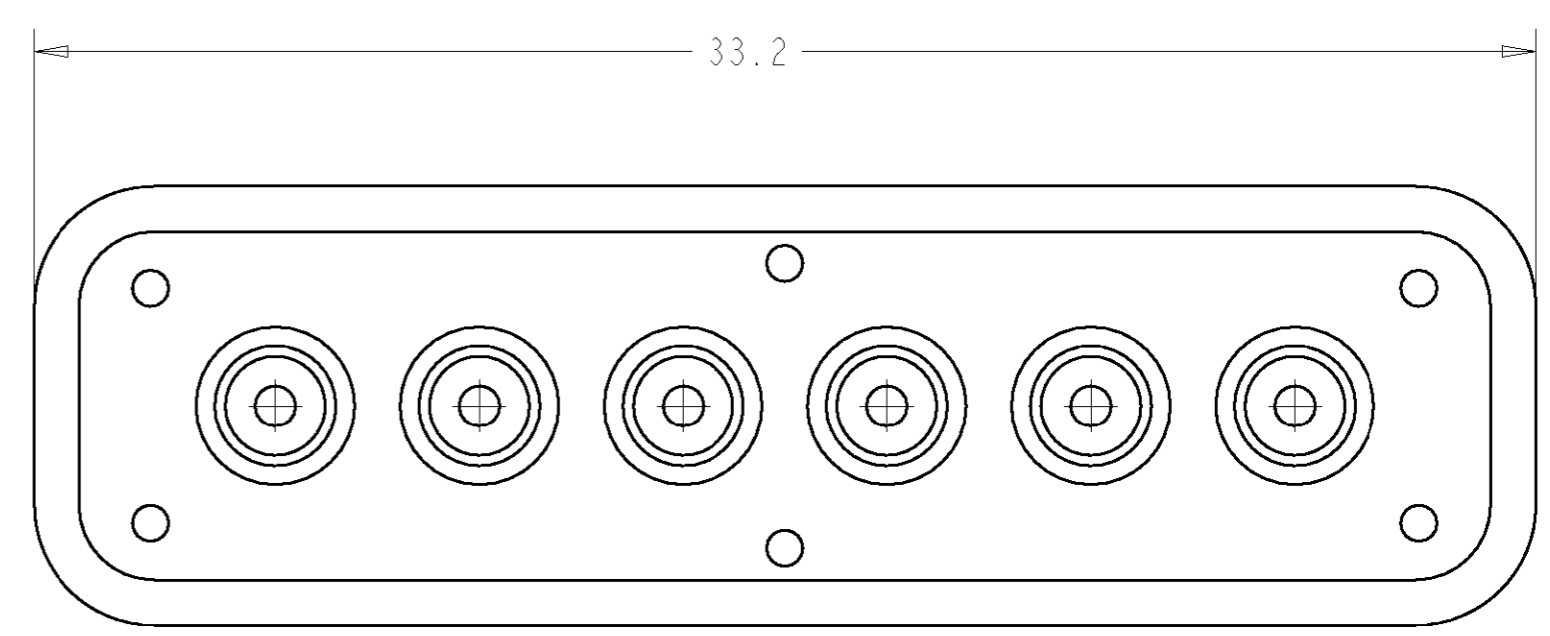
776529-2



776529-1



776529-3



776529-4

COLOR	DESCRIPTION	PART NUMBER
ORANGE	6 POSN	776529-4
LIGHT BLUE	4 POSN	776529-3
ORANGE	3 POSN	776529-2
LIGHT BLUE	2 POSN	776529-1

THIS DRAWING IS A CONTROLLED DOCUMENT FOR TYCO ELECTRONICS CORPORATION. IT IS SUBJECT TO CHANGE AND THE CONTROLLING ENGINEERING ORGANIZATION SHOULD BE CONTACTED FOR THE LATEST REVISION.		DWN W. HOELSCHER 28SEP04	Tyco Electronics Harrisburg, PA 17105-3608	
DIMENSIONS: mm		CHK J. PATTERSON 01OCT04		
TOLERANCES UNLESS OTHERWISE SPECIFIED: 0 PLC ± 1 PLC ±0.2 2 PLC ± 3 PLC ± 4 PLC ± ANGLES ± FINISH		APVD D. KLEIN 01OCT04	NAME WIRE SEAL, SINGLE ROW REDUCED DIAMETER AMPSEAL 16	
MATERIAL		PRODUCT SPEC -	SIZE A2	CAGE CODE 00779
		APPLICATION SPEC -	DRAWING NO G-776529	RESTRICTED TO -
		WEIGHT -	SCALE 6:1 SHEET 1 OF 1 REV B	
		CUSTOMER DRAWING		