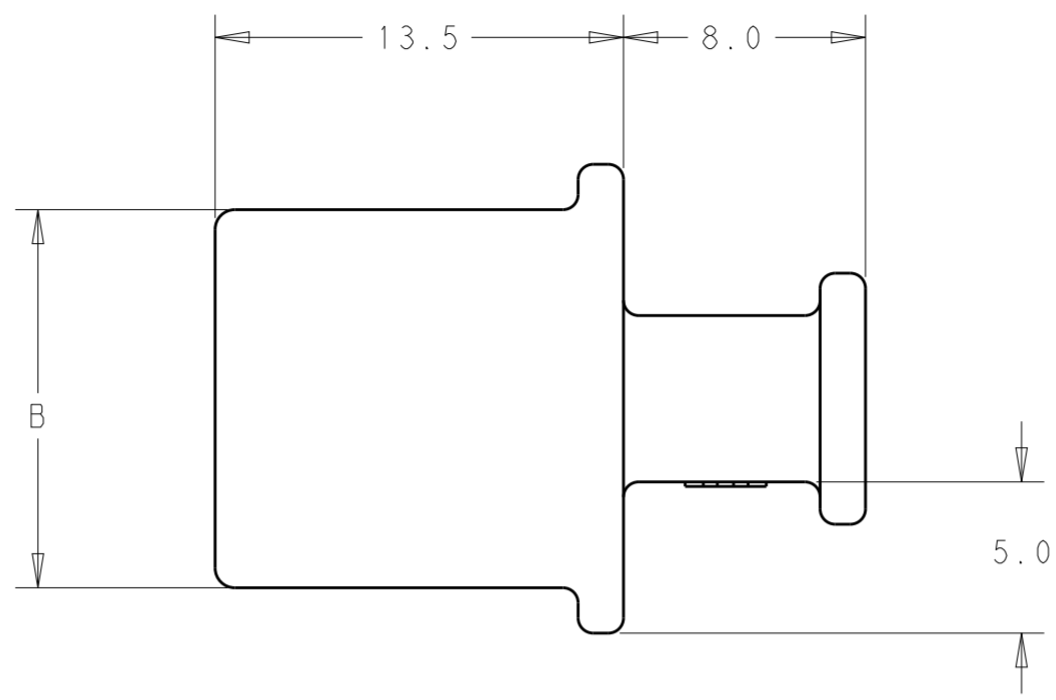
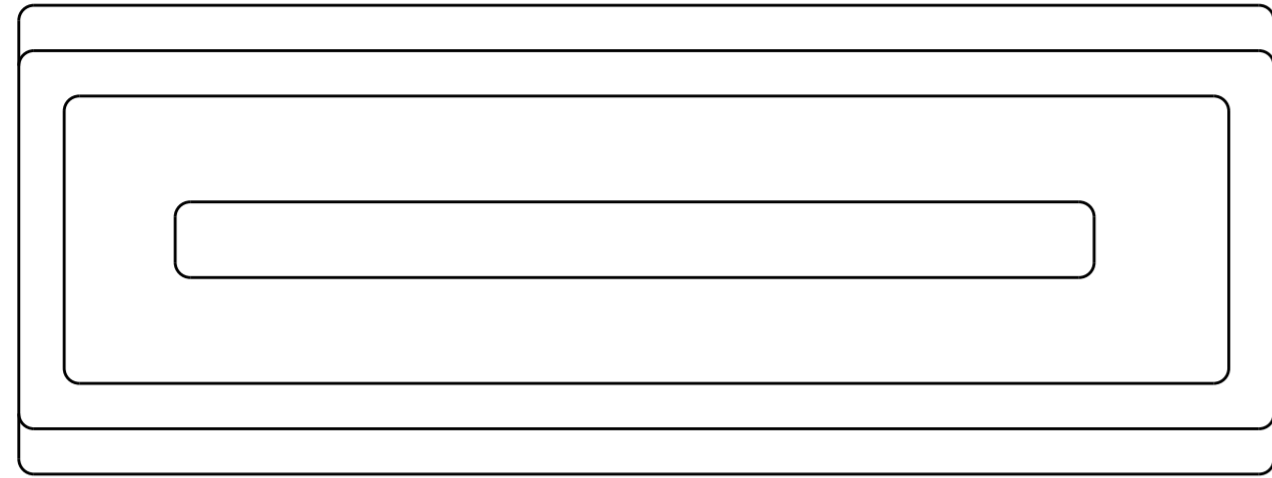
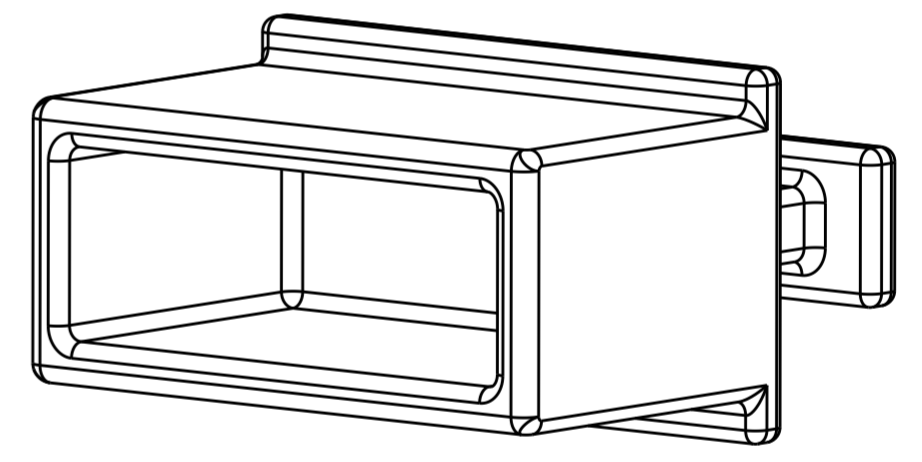
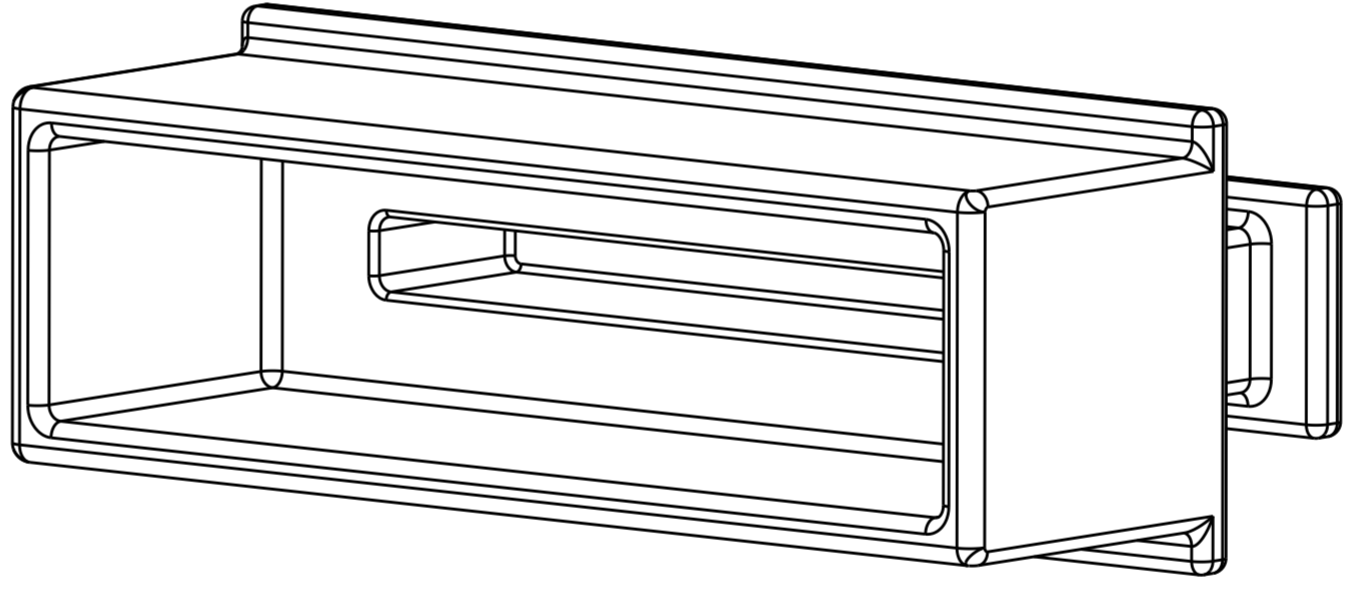
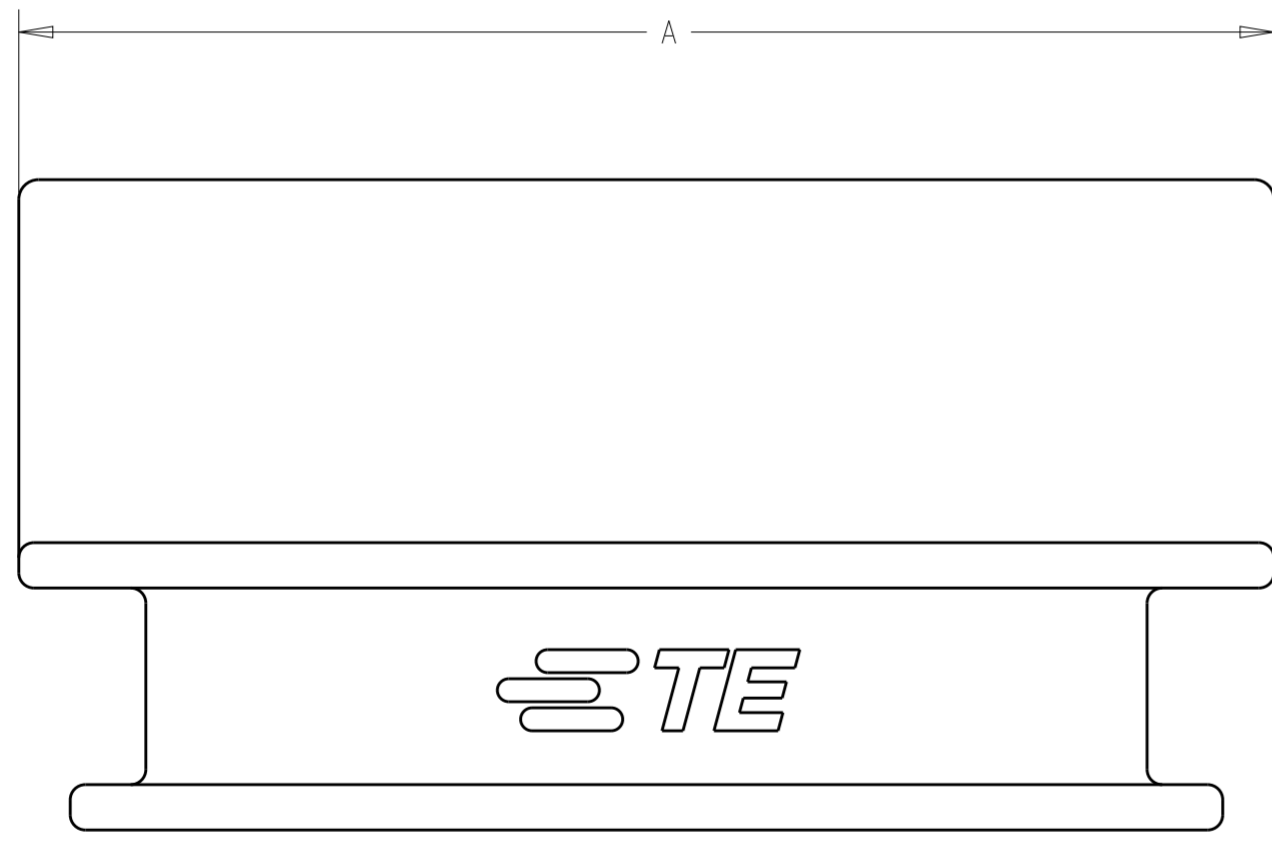


THIS DRAWING IS UNPUBLISHED. RELEASED FOR PUBLICATION 20
 © COPYRIGHT 20 BY - ALL RIGHTS RESERVED.

REVISIONS				
P	LTR	DESCRIPTION	DATE	APVD
A		INITIAL RELEASE	02MAY2018	AD SH



1 MATERIAL: ZINC ALLOY;
 2 PLATING: 1.27um MIN. NICKEL PLATING OVER COPPER UNDER PLATED.



2288221-1
(FOR CFP2)

2288221-3
(FOR CFP4)

THIS PRINT IS
PRELIMINARY
 UNQUALIFIED PRODUCT
 CONTACT PRODUCT ENGINEERING
 BEFORE USING THIS PRINT

9.5±0.10	21.5±0.10	2288221-3
12.5±0.10	41.5±0.10	2288221-1
B	A	PART NUMBER

THIS DRAWING IS A CONTROLLED DOCUMENT.		DWN ANDY.XIE 24NOV2015	STE TE Connectivity			
		CHK - 24NOV2015				
		APVD SEAN.HAN 24NOV2015	NAME EMI/DUST COVER, CFP2 AND CFP4			
DIMENSIONS: mm		PRODUCT SPEC -	SIZE A2	CAGE CODE -	DRAWING NO. C-2288221	RESTRICTED TO -
TOLERANCES UNLESS OTHERWISE SPECIFIED:		APPLICATION SPEC -	WEIGHT -	SCALE 2:1	SHEET 1 OF 1	REV A
0 PLC ±		WEIGHT -	CUSTOMER DRAWING			
1 PLC ±0.25						
2 PLC ±0.13						
3 PLC ±0.10						
4 PLC ±						
ANGLES ±1						
FINISH -						