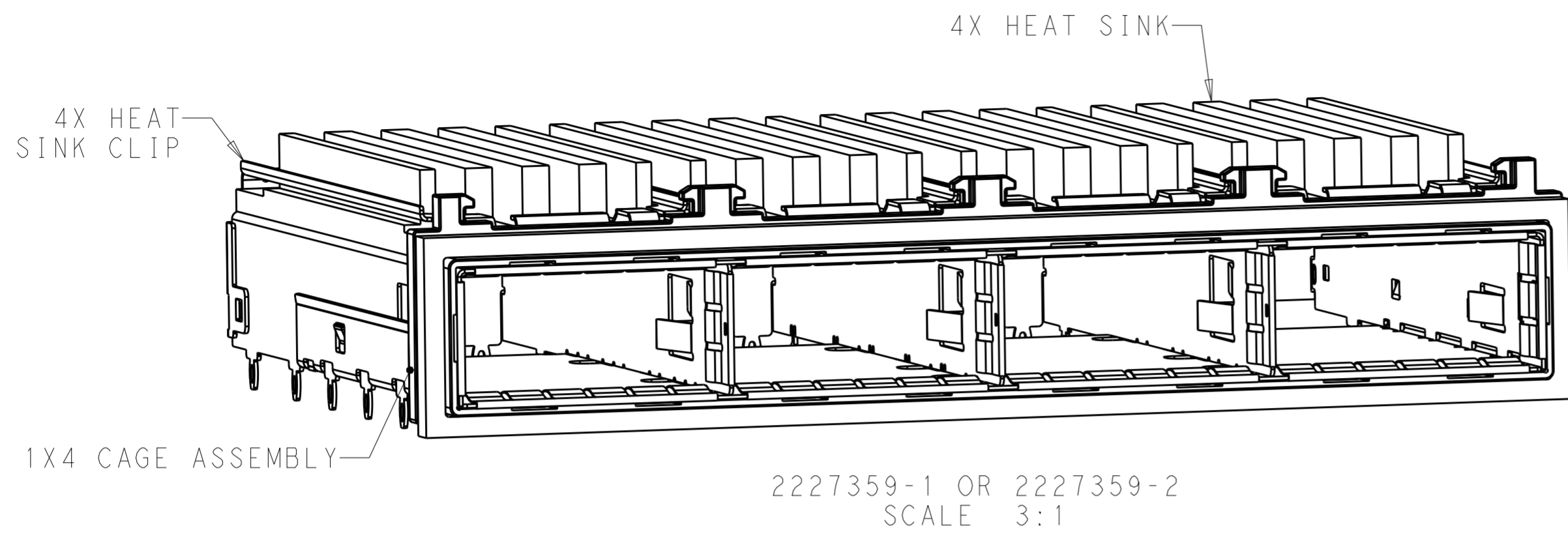


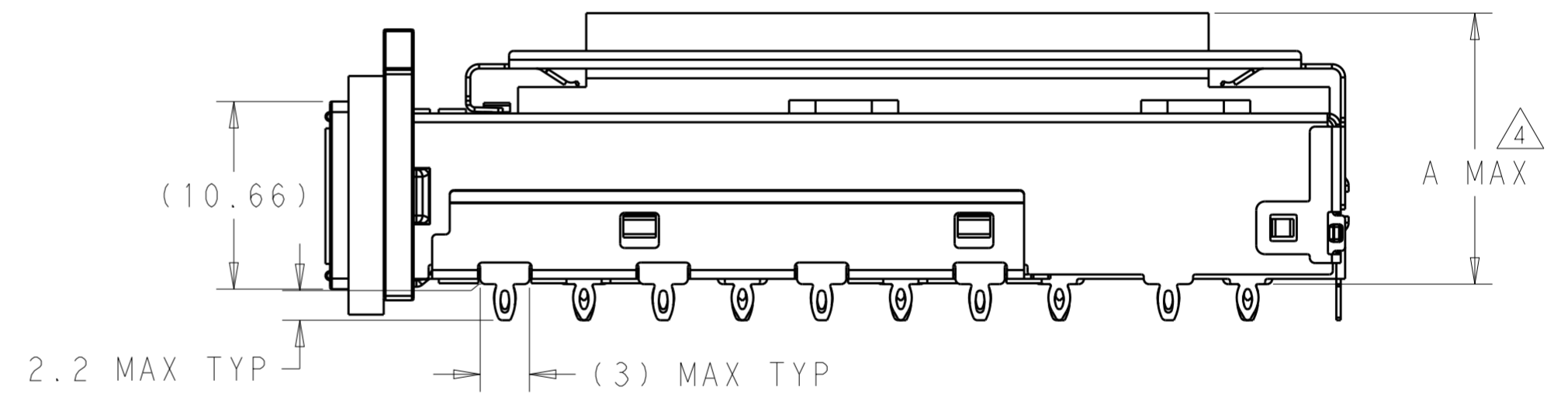
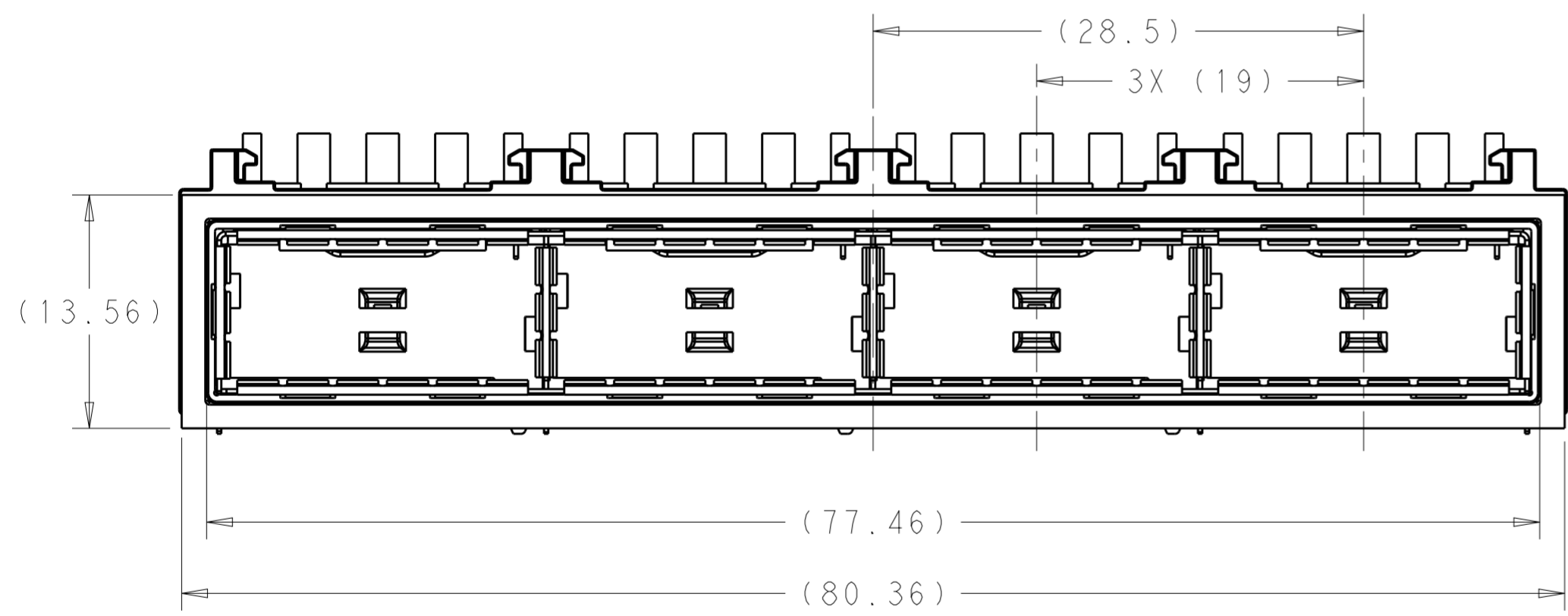
THIS DRAWING IS UNPUBLISHED. RELEASED FOR PUBLICATION 20
 © COPYRIGHT 20 BY - ALL RIGHTS RESERVED.

| LOC | DIST | REVISIONS | | | | | |
|-----|------|-----------|-----|-----------------|-----------|-----|------|
| GP | 00 | P | LTR | DESCRIPTION | DATE | DWN | APVD |
| | | 6 | | UPDATE | 25JUN2013 | JY | AC |
| | | A | | INITIAL RELEASE | 16DEC2014 | JY | MC |



- COMPONENTS
 CAGE ASSEMBLY: NICKEL-SILVER ALLOY
 HEAT SINK: ALUMINUM/NICKEL PLATE
 HEAT SINK CLIP: STAINLESS STEEL
 EMI SPRING: COPPER ALLOY/TIN PLATE
 FRONT FLANGE: STAINLESS STEEL
 EMI GASKET: SILVER PLATED URETHANE

- REFERENCE APPLICATION SPECIFICATION 114-32046 FOR RECOMMENDED DRILL HOLE DIAMETER AND PLATING THICKNESS
- DATUM AND BASIC DIMENSION ESTABLISHED BY CUSTOMER WITH MODULE INSERTED IN CAGE
- HEAT SINKS, HEAT SINK CLIPS ARE SHIPPED ASSEMBLED ON CAGE



| | |
|-------|-------------|
| 18.61 | 2227359-2 |
| 16.66 | 2227359-1 |
| DIM A | PART NUMBER |

THIS DRAWING IS A CONTROLLED DOCUMENT.

| | | | | | | | |
|-------------|--|------------------|-----------|---|-----------|------------|---------------|
| DIMENSIONS: | TOLERANCES UNLESS OTHERWISE SPECIFIED: | DWN | 10OCT2012 | TE Connectivity RECEPTACLE ASSEMBLY, THRU BEZEL, 1X4, QSF28 | | | |
| mm | 0 PLC ± | CHK | 10OCT2012 | | | | |
| | 1 PLC ± | APVD | 10OCT2012 | | | | |
| | 2 PLC ± | PRODUCT SPEC | 108-19428 | | | | |
| | 3 PLC ± | APPLICATION SPEC | - | SIZE | CAGE CODE | DRAWING NO | RESTRICTED TO |
| | 4 PLC ± | WEIGHT | - | A2 | 00779 | C-2227359 | - |
| | ANGLES ± | Customer Drawing | - | SCALE | 3:1 | SHEET | 1 OF 5 |
| | FINISH | | | REV | A | | |
| MATERIAL | SEE NOTES | | | | | | |

4

3

2

1

THIS DRAWING IS UNPUBLISHED. RELEASED FOR PUBLICATION 20
 © COPYRIGHT 20 BY - ALL RIGHTS RESERVED.

| LOC | DIST | REVISIONS | | | | | |
|-----|------|-----------|-----|-------------|------|-----|------|
| GP | 00 | P | LTR | DESCRIPTION | DATE | DWN | APVD |
| | | - | | SEE SHEET 1 | | | |

81.28±0.1
 R0.3 MAX TYP
 10.95±0.1
 77.85±0.1
 0.45±0.05
 BEZEL
 1.45 MIN PCB

SHOWN IN SINGLE SIDE
 BEZEL/PCB CONFIGURATION
 SCALE 2:1

0.45±0.05
 2.28 MIN PCB

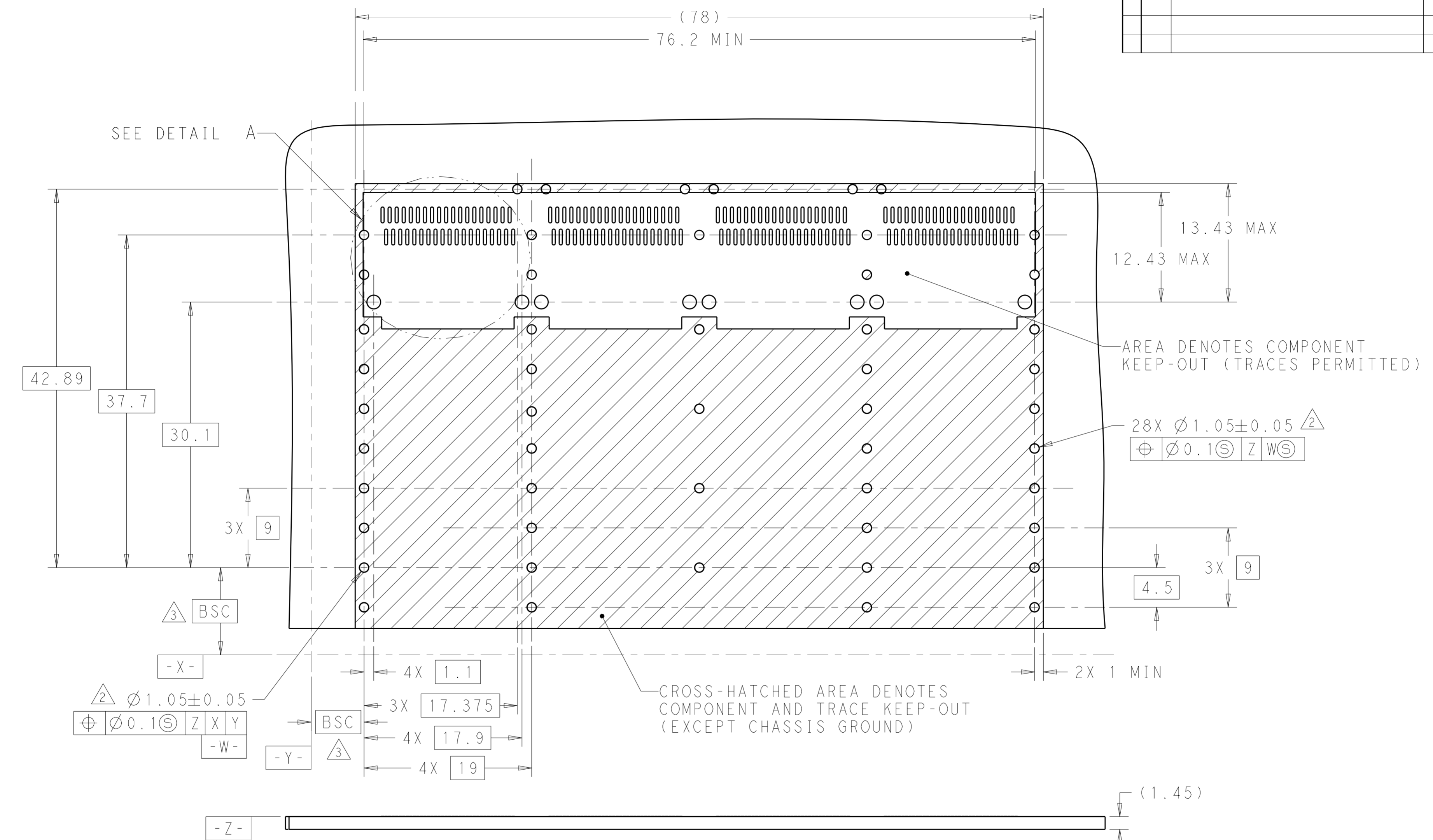
SHOWN IN BELLY TO BELLY
 BEZEL/PCB CONFIGURATION
 SAME AS ABOVE, EXCEPT AS SHOWN
 SCALE 2:1

| | | | | |
|---|--|-------------------------------------|---|-------------------------|
| THIS DRAWING IS A CONTROLLED DOCUMENT. | | DWN M. E. COWHER 10OCT2012 | STE TE Connectivity | |
| DIMENSIONS: mm | | CHK M. D. MORRISON 10OCT2012 | | |
| TOLERANCES UNLESS OTHERWISE SPECIFIED: | | APVD M. D. MORRISON 10OCT2012 | NAME RECEPTACLE ASSEMBLY, THRU BEZEL, 1X4, QSFP28 | |
| 0 PLC ± 1 PLC ± 2 PLC ± 3 PLC ± 4 PLC ± ANGLES ± FINISH | | PRODUCT SPEC 108-19428 | SIZE A200779 | DRAWING NO C-2227359 |
| MATERIAL SEE NOTES | | WEIGHT - | RESTRICTED TO - | SCALE 3:1 |
| SEE NOTES | | Customer Drawing | SHEET 2 | OF 5 REV A |


1471-9 (3/11)

THIS DRAWING IS UNPUBLISHED. RELEASED FOR PUBLICATION 20
 © COPYRIGHT 20 BY - ALL RIGHTS RESERVED.

| LOC | DIST | REVISIONS | | | | | |
|-----|------|-----------|-----|-------------|------|-----|------|
| GP | 00 | P | LTR | DESCRIPTION | DATE | DWN | APVD |
| | | - | | SEE SHEET 1 | | | |

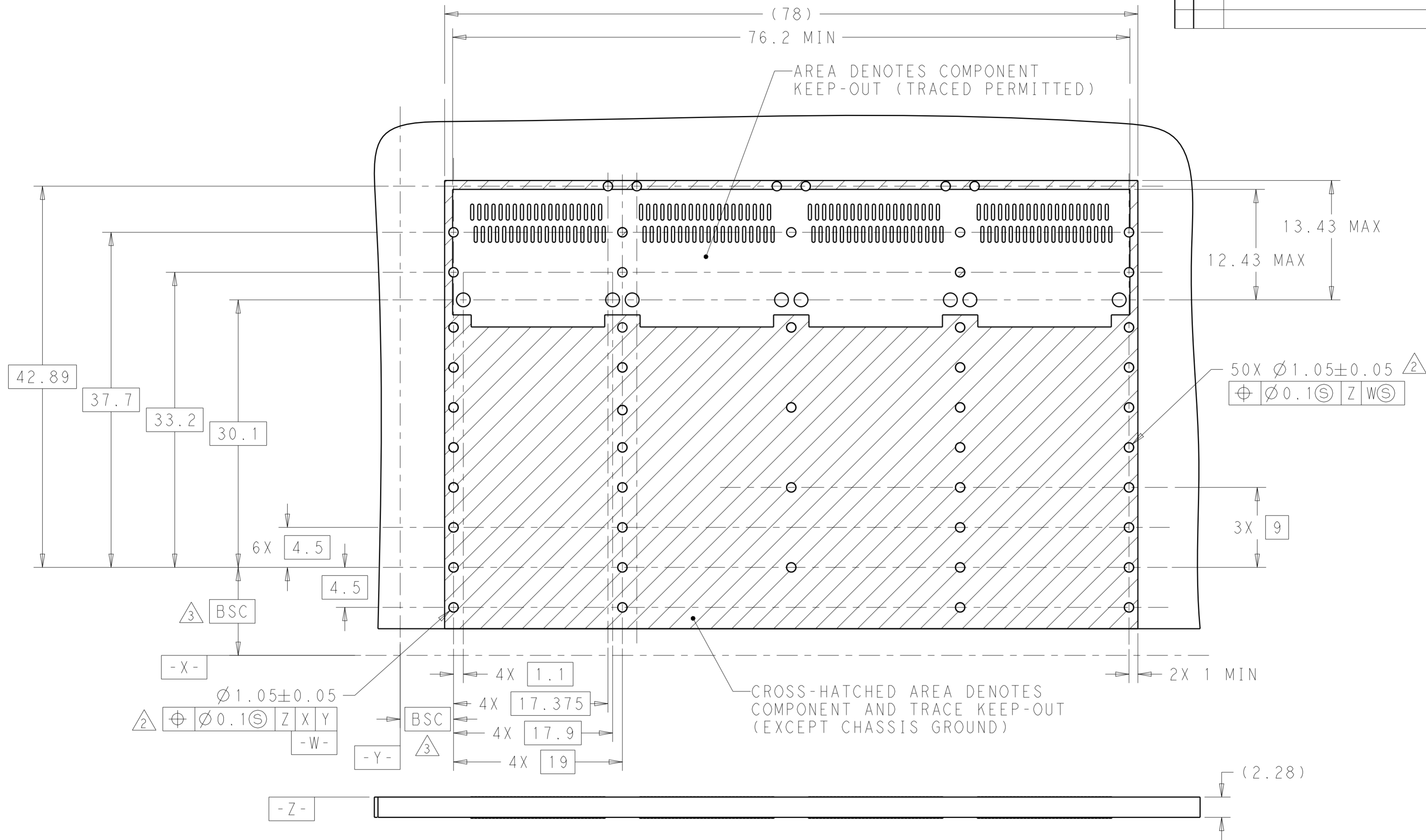


RECOMMENDED PCB LAYOUT
 SINGLE SIDE MOUNTED CONFIGURATION
 SCALE 3:1

| | | | | |
|---|--|-------------------------------------|---|--------------------|
| THIS DRAWING IS A CONTROLLED DOCUMENT. | | DWN M. E. COWHER 10OCT2012 |  TE Connectivity | |
| DIMENSIONS: mm | | CHK M. D. MORRISON 10OCT2012 | | |
| TOLERANCES UNLESS OTHERWISE SPECIFIED: | | APVD M. D. MORRISON 10OCT2012 | NAME RECEPTACLE ASSEMBLY, THRU BEZEL, 1X4, QSF28 | |
| 0 PLC ± 1 PLC ± 2 PLC ± 3 PLC ± 4 PLC ± ANGLES ± FINISH ± | | PRODUCT SPEC 108-19428 | SIZE A2 | CAGE CODE 00779 |
| MATERIAL SEE NOTES | | APPLICATION SPEC | DRAWING NO C-2227359 | RESTRICTED TO |
| WEIGHT | | Customer Drawing | SCALE 3:1 | SHEET 3 OF 5 |
| SEE NOTES | | | REV A | |

THIS DRAWING IS UNPUBLISHED. RELEASED FOR PUBLICATION 20
 © COPYRIGHT 20 BY - ALL RIGHTS RESERVED.

| LOC | DIST | REVISIONS | | | | | |
|-----|------|-----------|-----|-------------|------|-----|------|
| GP | 00 | P | LTR | DESCRIPTION | DATE | DWN | APVD |
| | | - | | SEE SHEET 1 | | | |

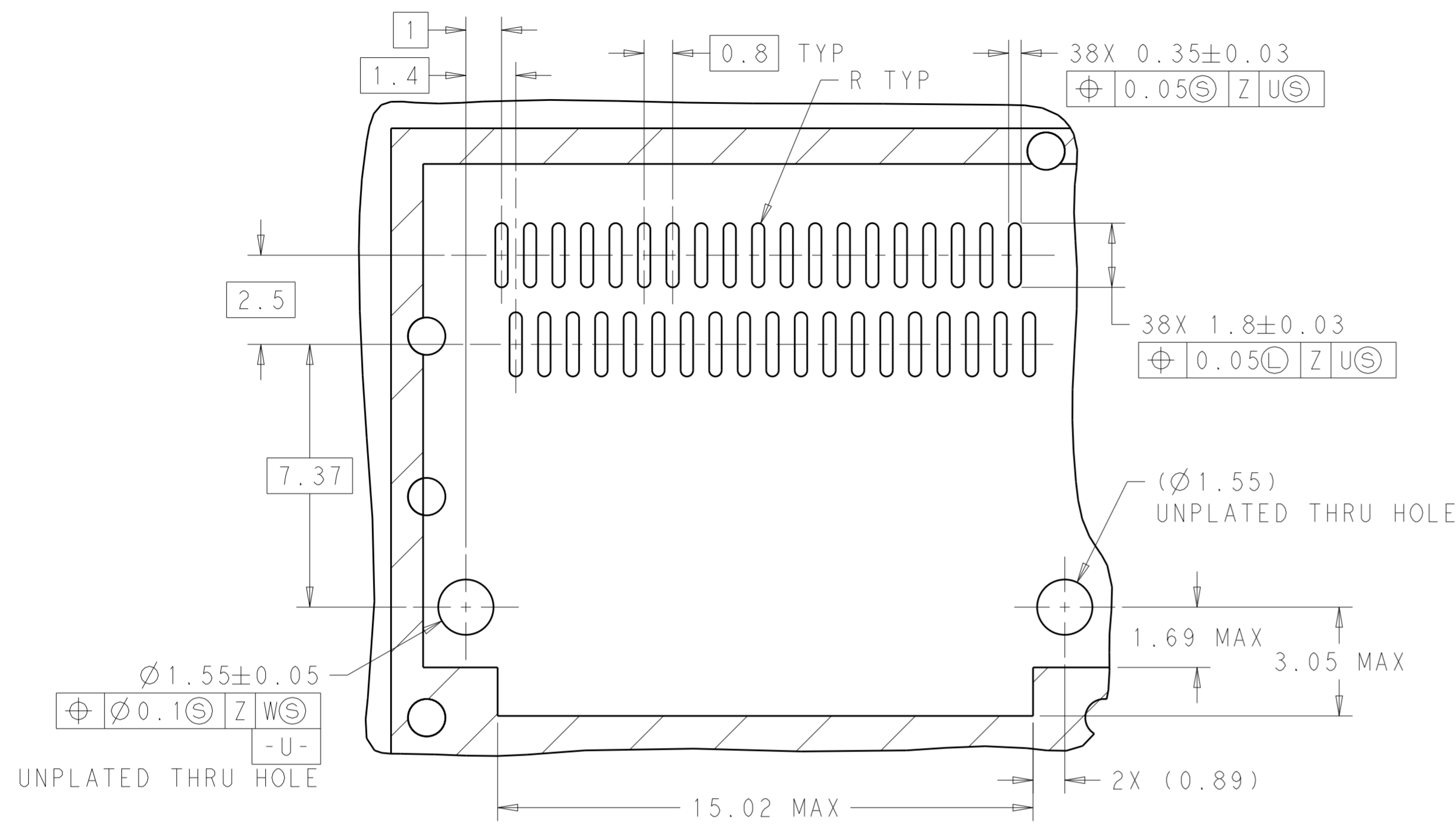


RECOMMENDED PCB LAYOUT
 BELLY TO BELLY MOUNTED CONFIGURATION
 SCALE 3:1

| | | | |
|---|--|---|---------------------|
| THIS DRAWING IS A CONTROLLED DOCUMENT. | | DWN M. E. COWHER 10OCT2012 | TE Connectivity |
| DIMENSIONS: mm | | CHK M. D. MORRISON 10OCT2012 | |
| TOLERANCES UNLESS OTHERWISE SPECIFIED: | | APVD M. D. MORRISON 10OCT2012 | |
| 0 PLC ± 1 PLC ± 2 PLC ± 3 PLC ± 4 PLC ± ANGLES ± FINISH ± | | PRODUCT SPEC 108-19428 APPLICATION SPEC - WEIGHT - | |
| MATERIAL SEE NOTES | | NAME RECEPTACLE ASSEMBLY, THRU BEZEL, 1X4, QSFP28 | |
| SEE NOTES | | SIZE A200779 | |
| SEE NOTES | | DRAWING NO C-2227359 | |
| SEE NOTES | | RESTRICTED TO - | |
| SEE NOTES | | SCALE 3:1 SHEET 4 OF 5 REV A | |

THIS DRAWING IS UNPUBLISHED. RELEASED FOR PUBLICATION 20
 © COPYRIGHT 20 BY - ALL RIGHTS RESERVED.

| LOC | DIST | REVISIONS | | | | | |
|-----|------|-----------|-----|-------------|------|-----|------|
| GP | 00 | P | LTR | DESCRIPTION | DATE | DWN | APVD |
| | | - | | SEE SHEET 1 | - | - | - |
| | | | | | | | |
| | | | | | | | |



DETAIL A
 RECOMMENDED CONNECTOR LAYOUT
 (APPLIES TO ALL PCB LAYOUTS)
 4X INDIVIDUALLY
 SCALE 8:1

| | | | | |
|---|--|-------------------------------------|---|-------------------------|
| THIS DRAWING IS A CONTROLLED DOCUMENT. | | DWN M. E. COWHER 10OCT2012 | TE Connectivity | |
| DIMENSIONS: mm | | CHK M. D. MORRISON 10OCT2012 | | |
| TOLERANCES UNLESS OTHERWISE SPECIFIED: | | APVD M. D. MORRISON 10OCT2012 | NAME RECEPTACLE ASSEMBLY, THRU BEZEL, 1X4, QSFP28 | |
| 0 PLC ± 1 PLC ± 2 PLC ± 3 PLC ± 4 PLC ± ANGLES ± FINISH ± | | PRODUCT SPEC 108-19428 | SIZE A200779 | DRAWING NO C-2227359 |
| MATERIAL SEE NOTES | | WEIGHT - | RESTRICTED TO - | SCALE 3:1 |
| SEE NOTES | | Customer Drawing | SHEET 5 | OF 5 REV A |