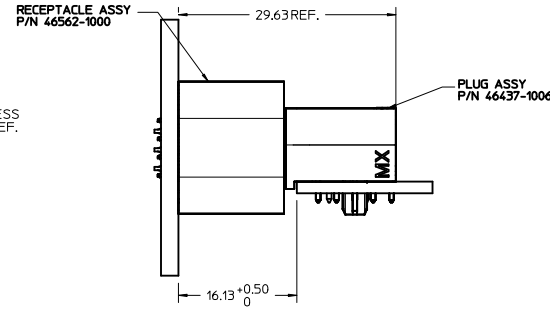
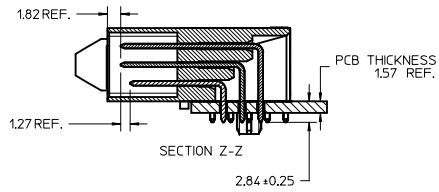
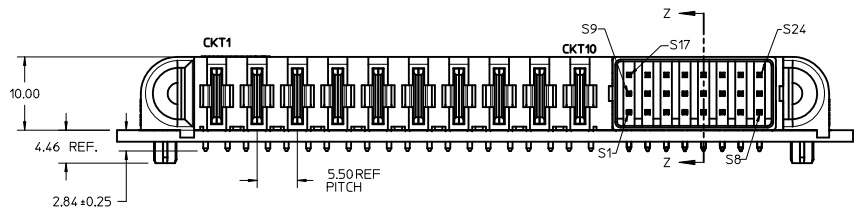
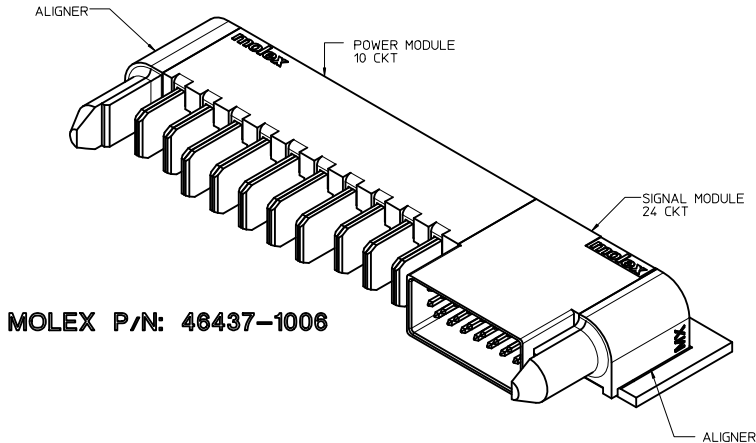


RECOMMENDED PCB LAYOUT AND PCB ZONE.



- NOTES:
- MATERIAL:
 - HOUSINGS: LCP UL-94, V-0, COLOR: BLACK
 - TERMINALS: COPPER ALLOY
 - PLATING: .00127 NICKEL OVERALL WITH 0.00254 SELECTIVE TIN ON SOLDER TAILS AND 0.000762 SELECTIVE GOLD ON CONTACT AREA.
 - PACKAGING: ASSEMBLIES TO BE TRAY PACKED, QTY TBD.
 - PRODUCT SPEC: PS-46436-100.
 - APPLICATION SPEC: AS-46436-100.
 - PC BOARD REQUIRES SOLDER THRU HOLES, REFER TO PS-46436-100 FOR DETAILS.
 - SEE PRODUCT SPEC FOR ROHS REQUIREMENTS.
 - ASSEMBLY MATES TO MOLEX RECEPTACLES ASSEMBLY P/N: 46436-1006 (R/A ASSY) AND 46562-1000 (VERTICAL ASSY).



MOLEX P/N: 46437-1006

RELEASED IEC NO: UCP2010-1976 DRAWN BY: CHYD/BKOSTIC 2010/02/08 CHECKED BY: CHYD/BKOSTIC 2010/02/11 APPR: APATEL 2010/02/12 REV: C	QUALITY SYMBOLS	GENERAL TOLERANCES (UNLESS SPECIFIED)		DIMENSION STYLE MM ONLY		SCALE 3:1	DESIGN UNITS METRIC	THIRD ANGLE PROJECTION
		mm	INCH	DATE		TITLE		
		4 PLACES ± .005	± .005	DRAWN BY: MKARADIMAS 2007/05/10		R/A PLUG ASSY		
		3 PLACES ± .005	± .005	CHECKED BY: BKOSTIC 2007/05/11		10P 24S		
	2 PLACES ± 0.25	± .005	APPROVED BY: APATEL 2007/05/15		TEN60 POWER FAMILY			
	1 PLACE ± 0.25	± .005	ANGULAR ± 1/2°		MOLEX MOLEX INCORPORATED			
DRAFT WHERE APPLICABLE MUST REMAIN WITHIN DIMENSIONS		MATERIAL NO. 46437-1006		DOCUMENT NO. SD-46437-1006		SHEET NO. 1 OF 1		
		SIZE D		THIS DRAWING CONTAINS INFORMATION THAT IS PROPRIETARY TO MOLEX INCORPORATED AND SHOULD NOT BE USED WITHOUT WRITTEN PERMISSION				