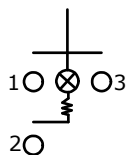
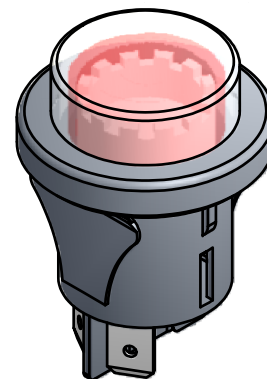
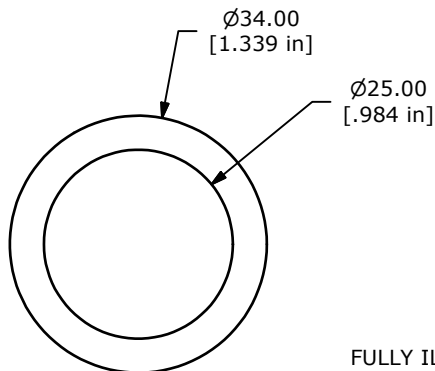


PANEL CUTOUT

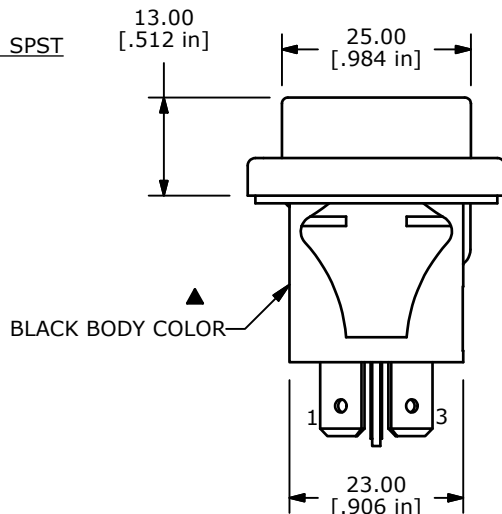


CIRCUIT: SPST



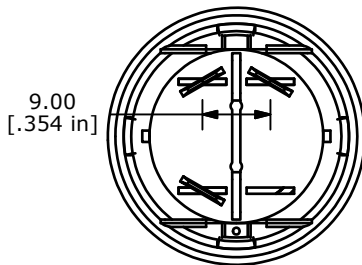
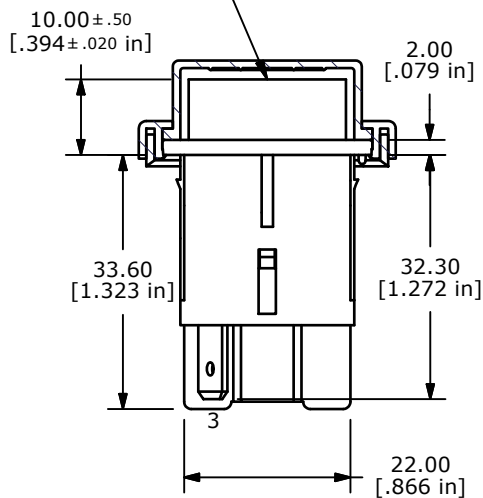
SWITCH FUNCTION	
POS. 1	POS. 2
OFF	ON
OPEN	1-3, 2

▲ (ON) = MOMENTARY



BLACK BODY COLOR

▲ FULLY ILLUMINATED RED LENS



NOTE:

1. ALL DIMENSIONS IN MM [INCH]
2. GENERAL TOLERANCE: X.X = 0.4  
X.XX = 0.25
3. TERMINAL NO'S FOR REFERENCE ONLY.
- ▲ 4. CONTACT RATINGS:  
16A 125VAC [UL,cUL]  
3/4HP250VAC [UL,cUL]  
16(6)A 250V~ 1E4 T125 [VDE]  
10(4)A 250V~ 5E4 T125 [VDE]
5. CONTACT RESISTANCE: 35mΩ MAX. INITIAL @ 50VAC
6. INSULATION RESISTANCE: 100MΩ @ 500VDC
7. DIELECTRIC STRENGTH: 1500VAC FOR 1 MINUTE
8. ELERTICAL LIFE: 6,000 CYCLES [UR,cUR]  
10,000 CYCLES [VDE]  
50,000 CYCLES [VDE]
9. ▲ DENOTE CRITICAL PARAMETER
10. 2002/95/EC (ROHS) COMPLIANT
- ▲ 11. ILLUMINATION VOLTAGE: 125V
12. LENS COLOR, RED



TITLE PR141C1000-116-ACC-F03-1

A	20523	RELEASE TO PRODUCTION	3/8/2012	MM
REV	PCR NO	DESCRIPTION	DATE	BY

SCALE	DATE	DR	DWG	REV
1:1	3/8/2012	BMA	38-PR1S00221	A

THE INFORMATION CONTAINED IN THIS DOCUMENT IS PROPRIETARY TO E-SWITCH AND IS NOT TO BE COPIED OR TRANSFERRED