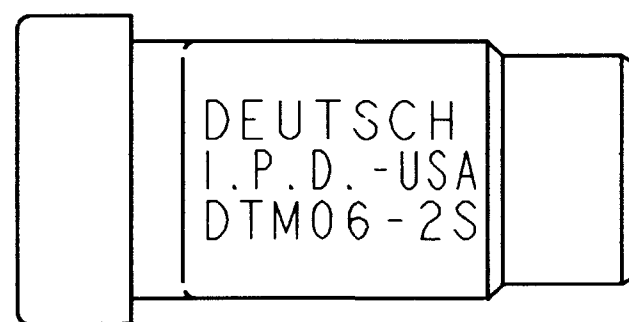
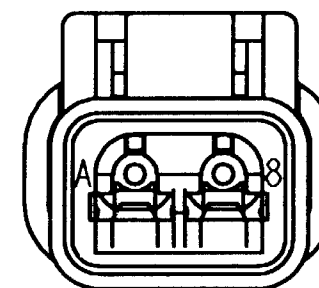
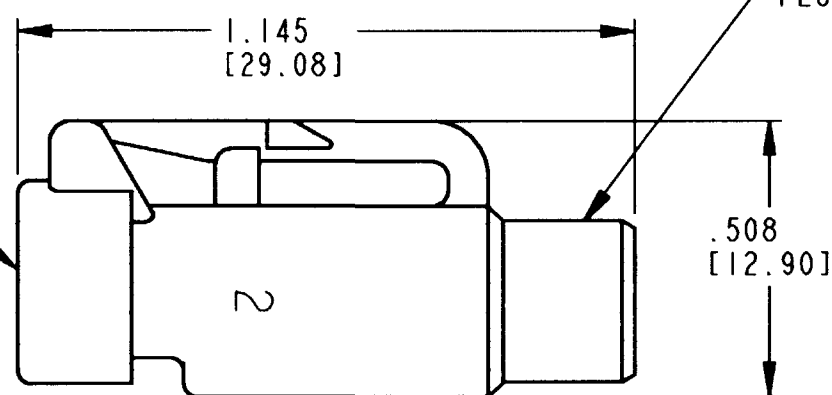
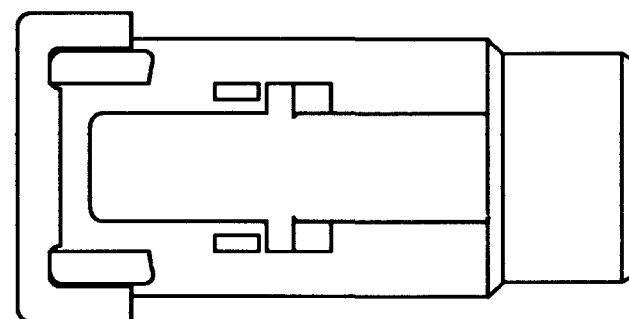
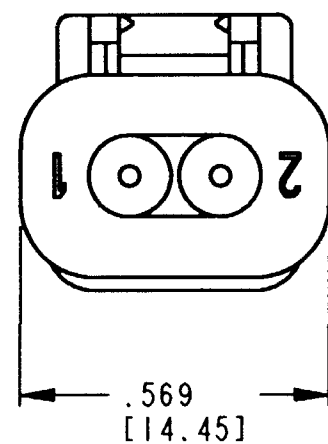


3D VIEW



REV
A DTM06-2S-E003

REVISIONS			
SYM	DESCRIPTION	DATE	APPROVED
NC	NEW RELEASE PER E.O. P16224	8/5/99	RDR
A	REVISED PER E.O. P20353	11-5-09	RDR

4. THIS PLUG MATES WITH DTM04-2P-**** RECEPTACLE (**** = ALL MODIFICATIONS). CONSULT FACTORY FOR MODIFICATIONS.

3. FOR CONTACTS AND WIRE PERFORMANCE AND APPLICATION CHARACTERISTICS SEE ENVELOPE DRAWING 0425-015-0000 AND 0425-017-0000.

2. DIMENSIONS ARE ±.025[0.63] UNLESS OTHERWISE SPECIFIED.

1. DIMENSIONS ARE IN INCHES [MILLIMETERS].

NOTES:

SIGNATURE & DATE	
DR	S. THEIS 8/2/99
CHK	<i>[Signature]</i> 11/5/09
PE	<i>[Signature]</i> 11/4/09
APPD	<i>[Signature]</i> 11-4-09
SCALE	NONE
WT	

2 WAY PLUG
W/ WELD CAP
COLOR: GRAY
DTM SERIES

ENVELOPE

EP	MATL. CODE
3850 INDUSTRIAL AVE. HEMET, CA 92545	
B DTM06-2S-E003	
DWG SIZE	SHEET OF