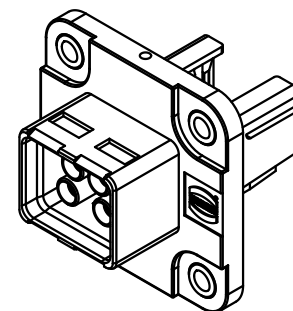
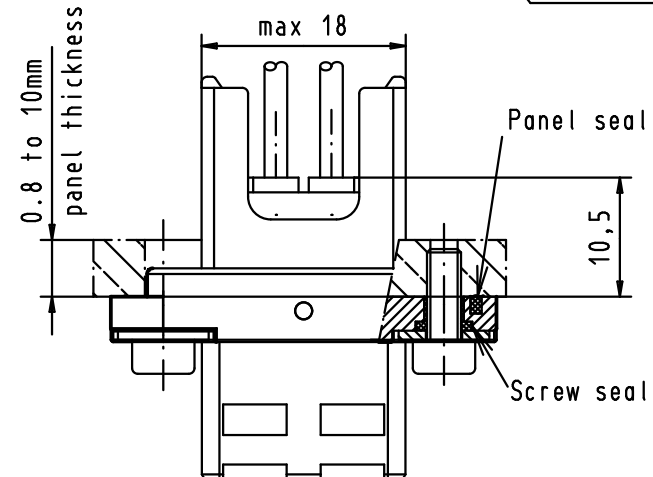
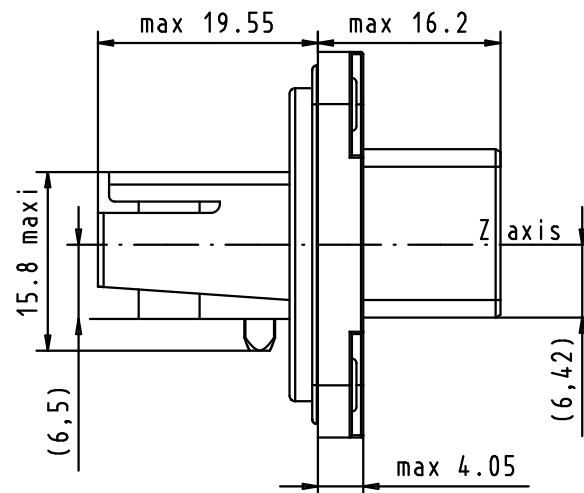
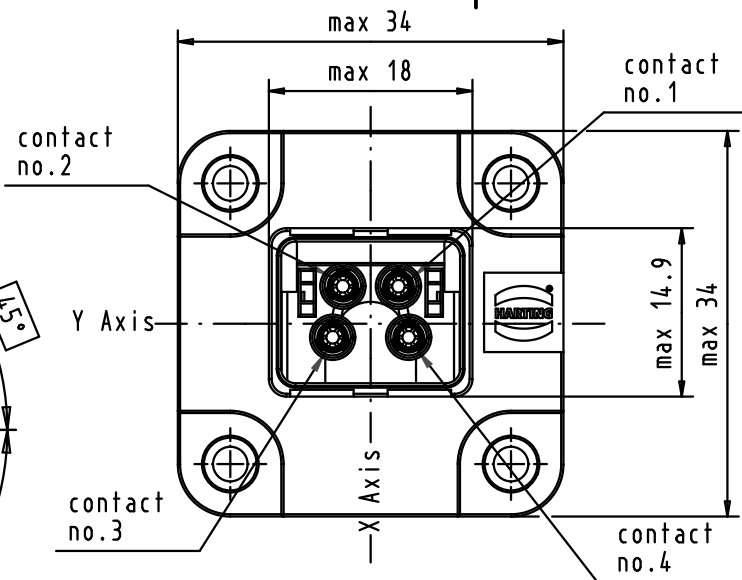
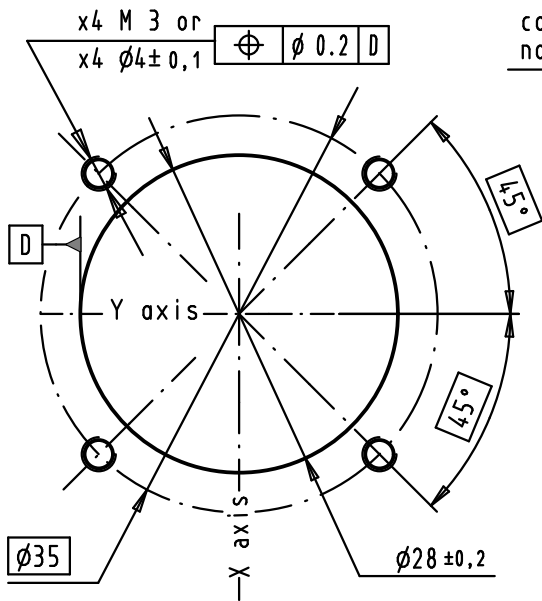


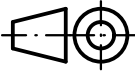

Panel cutting



Connector pitches on panel = 35 mm
 Receptacle mating face acc. to
 IEC 61076-3-106 - variant 04

Screwing by x4 M3 screws with torque 0.5 N.m
 with flat washer under the screw .

x4 stranded wires 1,5 mm²

				Dot.	Name	 <p>All Dim. in mm Orig. Size DIN A 4</p>	<p>push pull power easy install IP67 PANEL FEED THROUGH 12A-48V WITH POWER FIXED CRIMP CONNECTOR</p>	Maßstab/ Scale	
				Detail.	01/03/07			BD	3:2
				Insp.					
				Stand.					
33949	01/03/07	BD	HARTING EURL F-95972 Paris				TB09 46 245 4430	Blatt/ Page	
Mod.	Dot.	Name					Sub.	1/1	