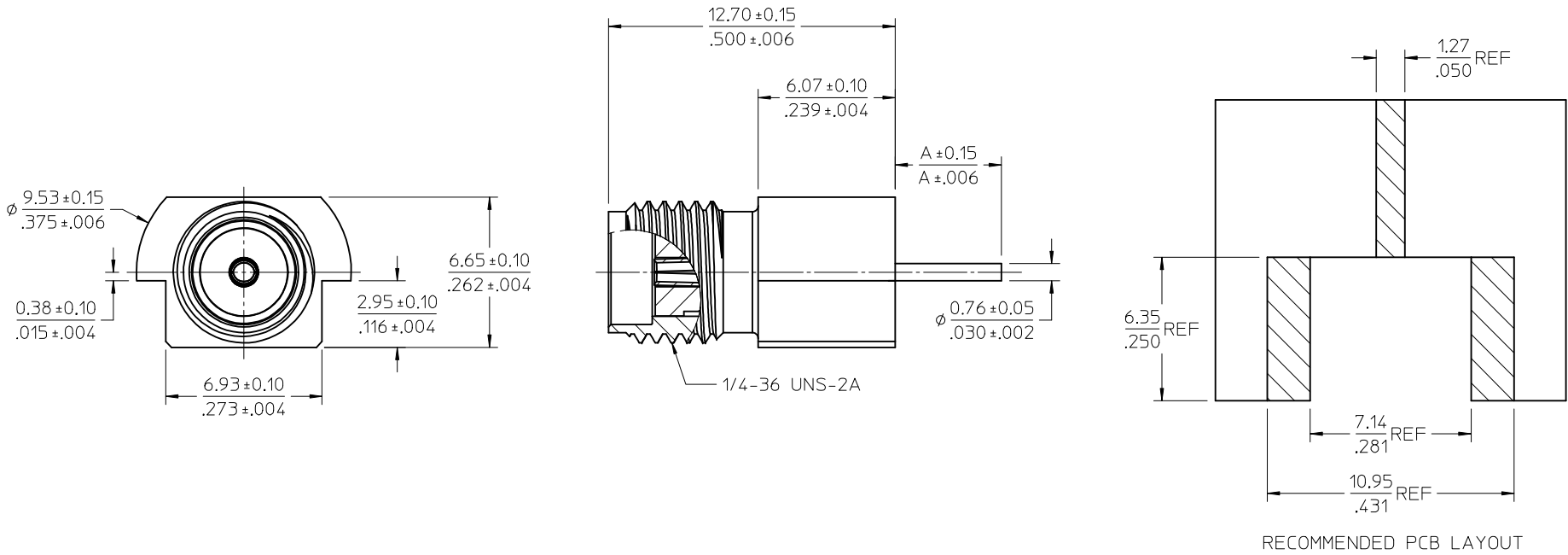
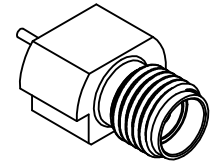


MATERIALS AND FINISHES

BODY: BRASS
PLATED GOLD (SEE TABLE)

INSULATOR: TEFLON

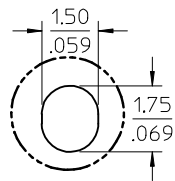
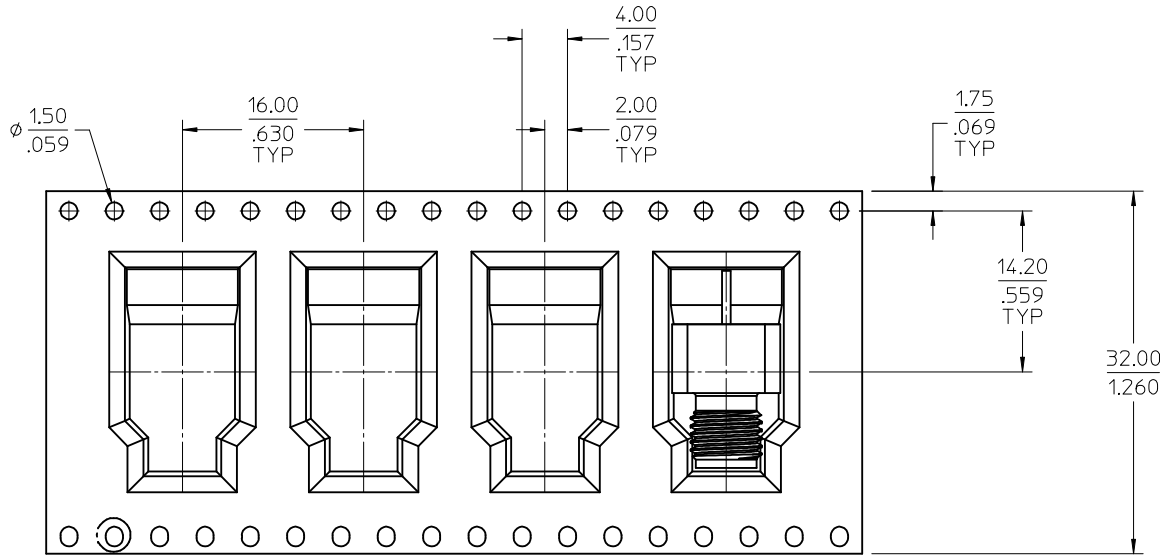
CONTACT: BERYLLIUM COPPER
PLATED GOLD (SEE TABLE)



73251-1143	.187	4.75	GOLD FLASH	GOLD 5μ	TAPE & REEL
73251-1142	.187	4.75	GOLD FLASH	GOLD 5μ	TRAY
73251-1141	.075	1.91	GOLD	GOLD	TRAY
73251-1140	.187	4.75	GOLD	GOLD	TRAY
PART NO.	IN	MM	BODY PLATING	CONTACT PLATING	PACKAGING
DIM X	A				

MIL-STD-348A, FIG. 310.2	INTERFACE	CHG/ADD TOLERANCE PER RF16-E087 EC NO: URF2016-0800 DRW:RYEH 2016/05/17 CHKD: APPR:YCHENG 2016/06/02 DESCRIPTION REV:	QUALITY SYMBOLS ∇=0 ∇=0 ∇=0	GENERAL TOLERANCES (UNLESS SPECIFIED) 4 PLACES ± --- ± --- 3 PLACES ± --- ± --- 2 PLACES ± --- ± --- 1 PLACE ± --- ± --- 0 PLACE ± --- ± --- ANGULAR ±1/2° DRAFT WHERE APPLICABLE MUST REMAIN WITHIN DIMENSIONS	DIMENSION STYLE MM/IN DRAWN BY DATE LMB 2000/09/22 CHECKED BY DATE TER 2000/09/22 APPROVED BY DATE GMH 2000/09/22	SCALE DESIGN UNITS METRIC THIRD ANGLE PROJECTION	TITLE SMA JACK SURFACE MOUNT END LAUNCH SMA-J/PCB, EWR-3563		SHEET NO. 1 OF 3		
	SPECIFICATION						DESCRIPTION	MATERIAL NO. SEE TABLE		DOCUMENT NO. SD-73251-114	
	THIS DRAWING CONTAINS INFORMATION THAT IS PROPRIETARY TO MOLEX INCORPORATED AND SHOULD NOT BE USED WITHOUT WRITTEN PERMISSION										

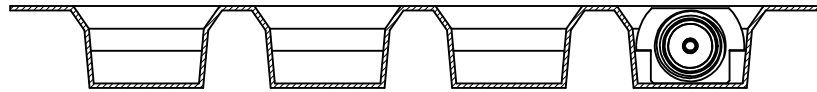
NOTE:
MATERIAL: PS BLACK



Detail 1
Scale 10:1

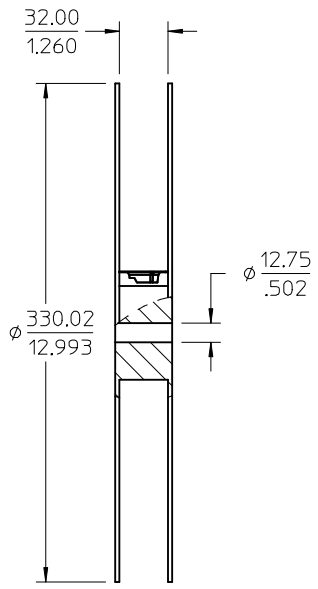
SEE Detail 1

FOR 73251-1143 ONLY

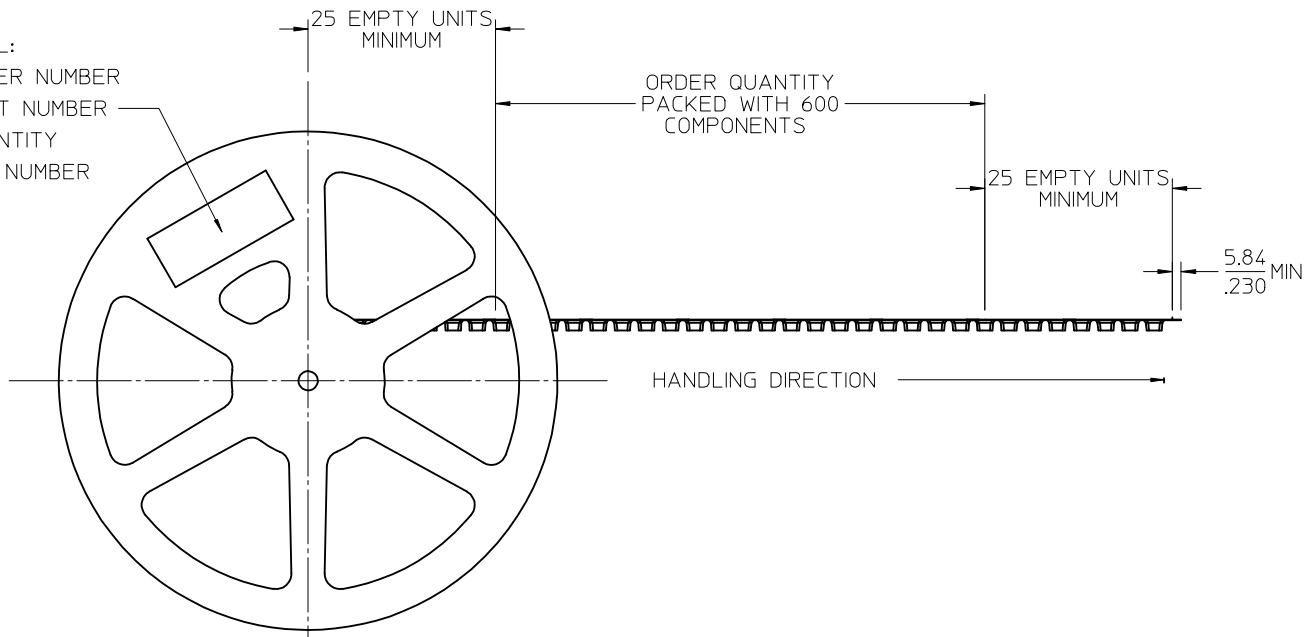


CHG:SEE SHEET 1 EC NO: URF2016-0800 DRAWN:YEH 2016/05/17 CHKD: APPR:YCHENG 2016/06/02	QUALITY SYMBOLS ▽=0 ▽=0 ▽=0	GENERAL TOLERANCES (UNLESS SPECIFIED)		DIMENSION STYLE	SCALE	DESIGN UNITS	THIRD ANGLE PROJECTION
				MM/IN			
				DRAWN BY	DATE	TITLE	
				CHECKED BY	DATE		
		ANGULAR ±1/2°		APPROVED BY	DATE		
		DRAFT WHERE APPLICABLE MUST REMAIN WITHIN DIMENSIONS		MATERIAL NO.	DOCUMENT NO.	SHEET NO.	
				SEE TABLE	SD-73251-114	2 OF 3	
				THIS DRAWING CONTAINS INFORMATION THAT IS PROPRIETARY TO MOLEX INCORPORATED AND SHOULD NOT BE USED WITHOUT WRITTEN PERMISSION			

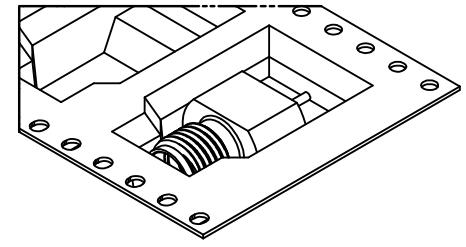
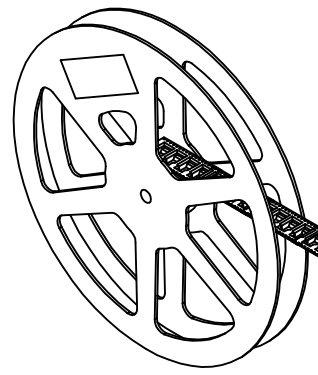
SMA JACK
SURFACE MOUNT END LAUNCH
SMA-J/PCB, EWR-3563
molex



LABEL:
 -ORDER NUMBER
 -PART NUMBER
 -QUANTITY
 -LOT NUMBER



FOR 73251-1143 ONLY



Detail 2
 Scale 3:1

SEE Detail 2

NOTE:
 1. DIMENSIONS ARE PROVIDED FOR REFERENCE ONLY
 2. COMPONENT LOAD PER 13" REEL: 600 PCS

CHG:SEE SHEET 1 EC NO: URF2016-0800 DRW:RYEH 2016/05/17 CHKD: APPR:YCHENG 2016/06/02	QUALITY SYMBOLS ▽=0 ▽=0 ▽=0	GENERAL TOLERANCES (UNLESS SPECIFIED)		DIMENSION STYLE MM/IN		SCALE	DESIGN UNITS METRIC	THIRD ANGLE PROJECTION	
		4 PLACES ± --- ± ---	3 PLACES ± --- ± ---	2 PLACES ± --- ± ---	1 PLACE ± --- ± ---	0 PLACE ± --- ± ---	mm	INCH	DRAWN BY LMB
REV A4	DESCRIPTION	ANGULAR ±1/2°		MATERIAL NO.		DOCUMENT NO.		SHEET NO.	
		DRAFT WHERE APPLICABLE MUST REMAIN WITHIN DIMENSIONS		SEE TABLE		SD-73251-114		3 OF 3	
THIS DRAWING CONTAINS INFORMATION THAT IS PROPRIETARY TO MOLEX INCORPORATED AND SHOULD NOT BE USED WITHOUT WRITTEN PERMISSION									