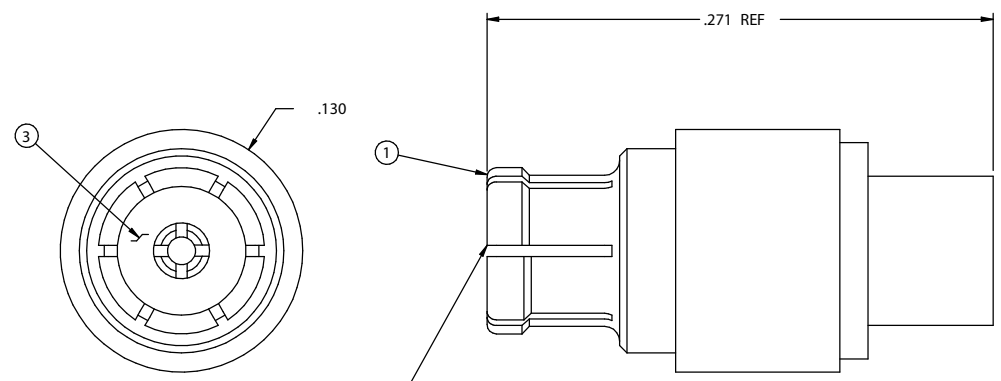
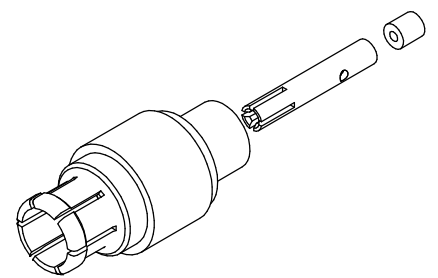


PART NUMBER	ITEM BODY	ITEM CONTACT	ITEM INSULATOR	ITEM CABLE STOP
125-0692-001	BERYLLIUM COPPER GOLD PL. .00005 MIN OVER NICKEL PL.00005 MIN OVER COPPER PL.00005 MIN	BERYLLIUM COPPER GOLD PL. .00005 MIN OVER NICKEL PL.00005 MIN OVER COPPER PL.00005 MIN	TEFLON	TEFLON

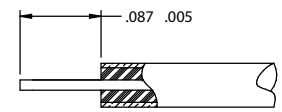
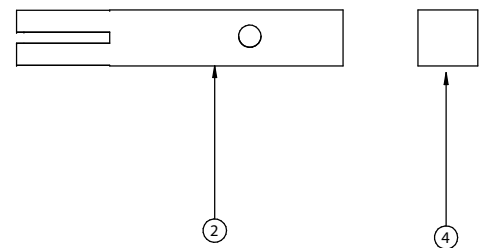
DRAWING NO. 125-0692-001				
REVISIONS				
1	RELEASE	R	L	ECO-13-0205
	7-28-2013	S	M	



SMPM FEMALE INTERFACE  
PER MIL-STD-348B  
ACCEPTS .011~.013 PIN



10:1



CABLE STRIP DIMENSION

10:1

SPECIFICATION:

IMPEDANCE: 50 OHMS  
 FREQUENCY RANGE: 0-40GHz  
 VSWR: 1.15 MAX TO 26.5GHz, 1.30 MAX TO 40GHz  
 INSERTION LOSS: 0.12 F dB MAX (F IN GHz)  
 DIELECTRIC WITHSTANDING VOLTAGE: 325 VRMS MIN AT SEA LEVEL  
 INSULATION RESISTANCE: 5000 MEGOHM MIN  
 CONTACT RESISTANCE:  
 CENTER CONTACT - INITIAL 6 MILLIOHM MAX, AFTER ENVIRONMENTAL NOT APPLICABLE  
 OUTER CONDUCTOR - INITIAL 2 MILLIOHM MAX, AFTER ENVIRONMENTAL NOT APPLICABLE  
 RF LEAKAGE: -80dB TYPICAL AT 3GHz

MECHANICAL:

ENGAGEMENT FORCE: FULL DETENT(FD) 4.5LBS TYPICAL; SMOOTH BORE(SB) 2.5LBS TYPICAL  
 DISENGAGEMENT FORCE: FD 6.5LBS TYPICAL; SB 1.5LB S TYPICAL  
 CONTACT RETENTION: 1.5 LBS MIN AXIAL FORCE  
 DURABILITY: FD 100 CYCLES MIN; SB 500 CYCLES MIN

ENVIRONMENTAL:

OPERATING TEMPERATURE: -65 TO 165°C  
 THERMAL SHOCK: MIL-STD-202, METHOD 107, CONDITION B  
 MECHANICAL SHOCK: MIL-STD-202, METHOD 213, CONDIT ION I  
 CORROSION: MIL-STD-202, METHOD 101  
 VIBRATION: MIL-STD-202, METHOD 204  
 MOISTURE RESISTANCE: MIL-STD-202, MEHTOD 106, EXC EPT STEP 7B

THIS DRAWING TO BE INTERPRETED  
PER ANSI Y 14.5M - 1994

CUSTOMER COPY

TOLERANCE UNLESS OTHERWISE SPECIFIED		DRAWN BY R.SHEN	DATE 1-27-2013
DECIMALS	INCH	CHECKED BY R.SHEN	DATE 1-27-2013
X.X	±0.010	APPROVED BY L.MA	DATE 1-28-2013
X.XX	±0.005	U/M	INCH
X.XXX	±0.003	THIS DRAWING WAS PRODUCED BY COMPUTER, DO NOT SCALE DRAWING OR UPDATE MANUALLY.	
ANGLES	±0.5		

**cinch**  
CONNECTIVITY SOLUTIONS  
a bel group

Connectivity Solutions

TITLE  
SMPM FEMALE  
STRAIGHT CABLED .047 SEMI-RIGID

SHEET 1 OF 1	DRAWING NO. 125-0692-001	SIZE C
-----------------	-----------------------------	-----------