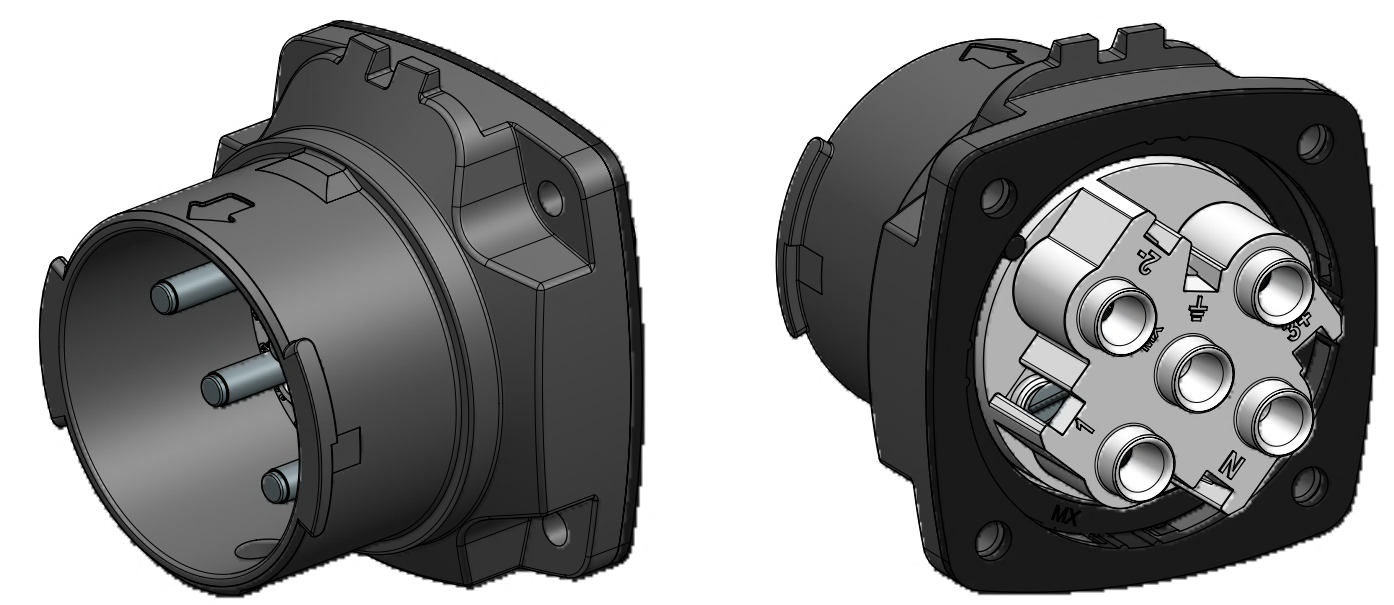
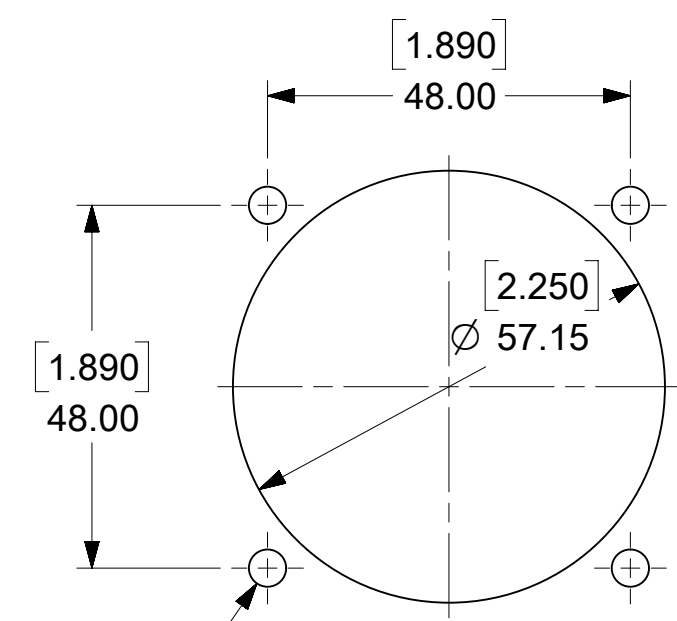
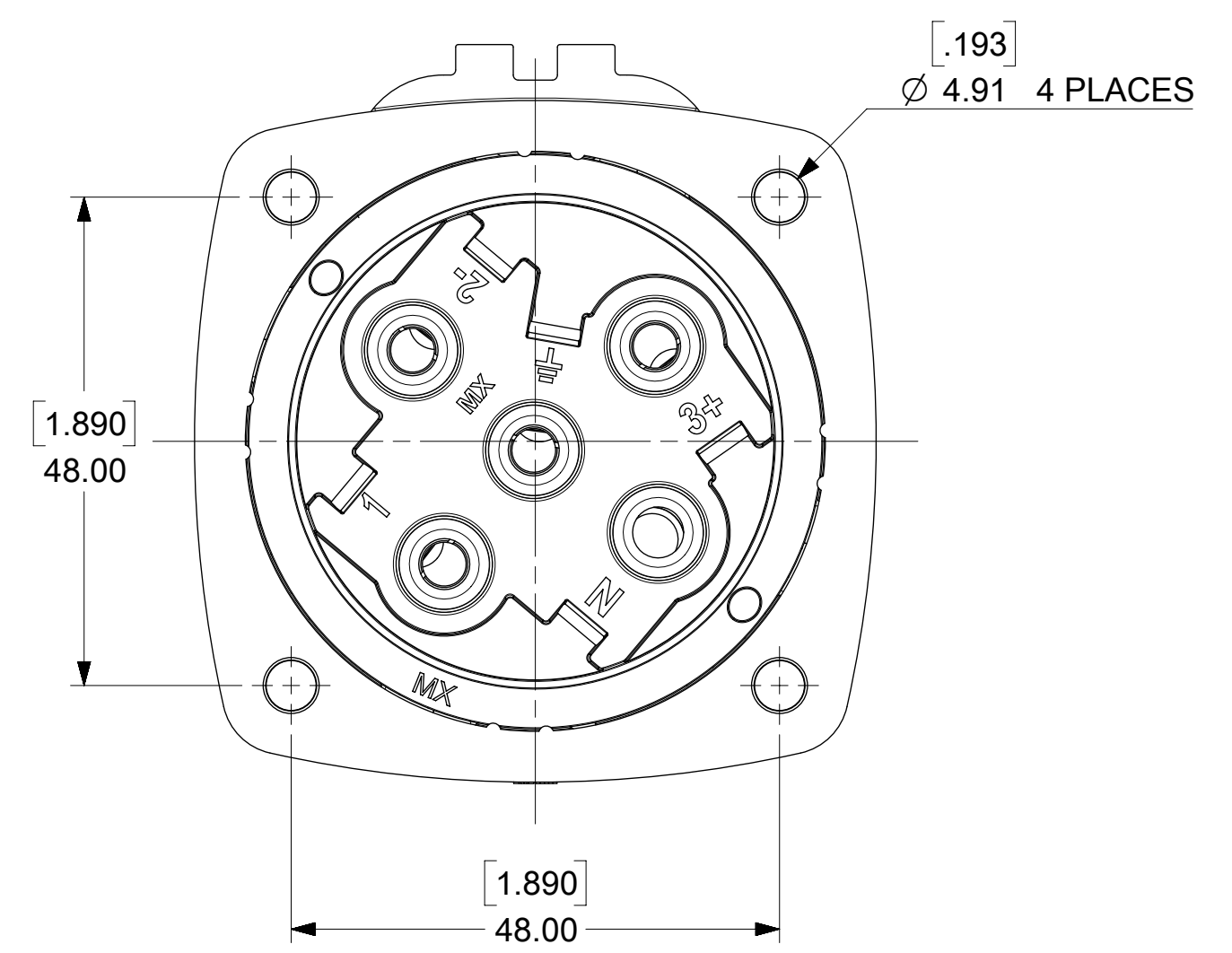
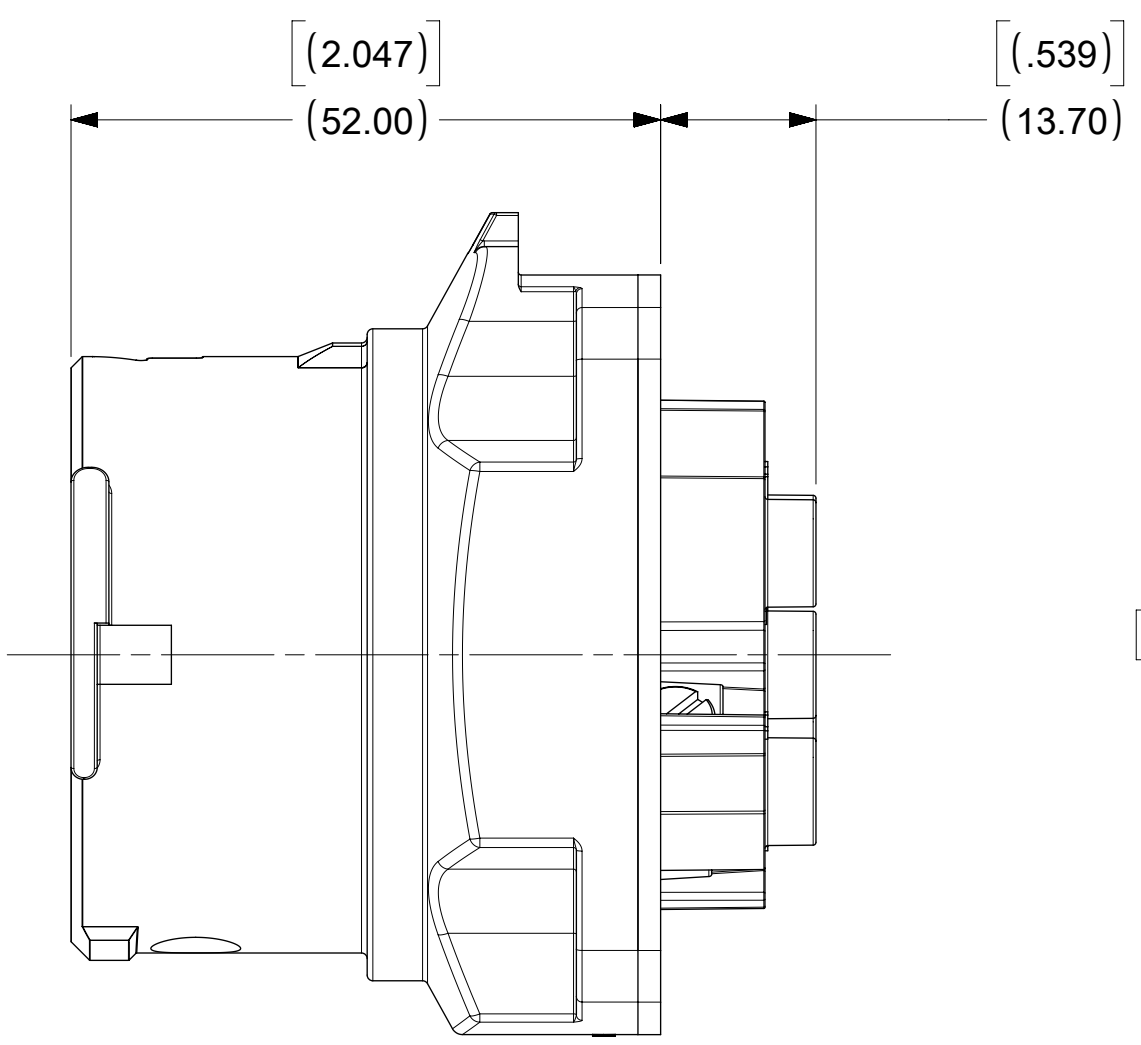
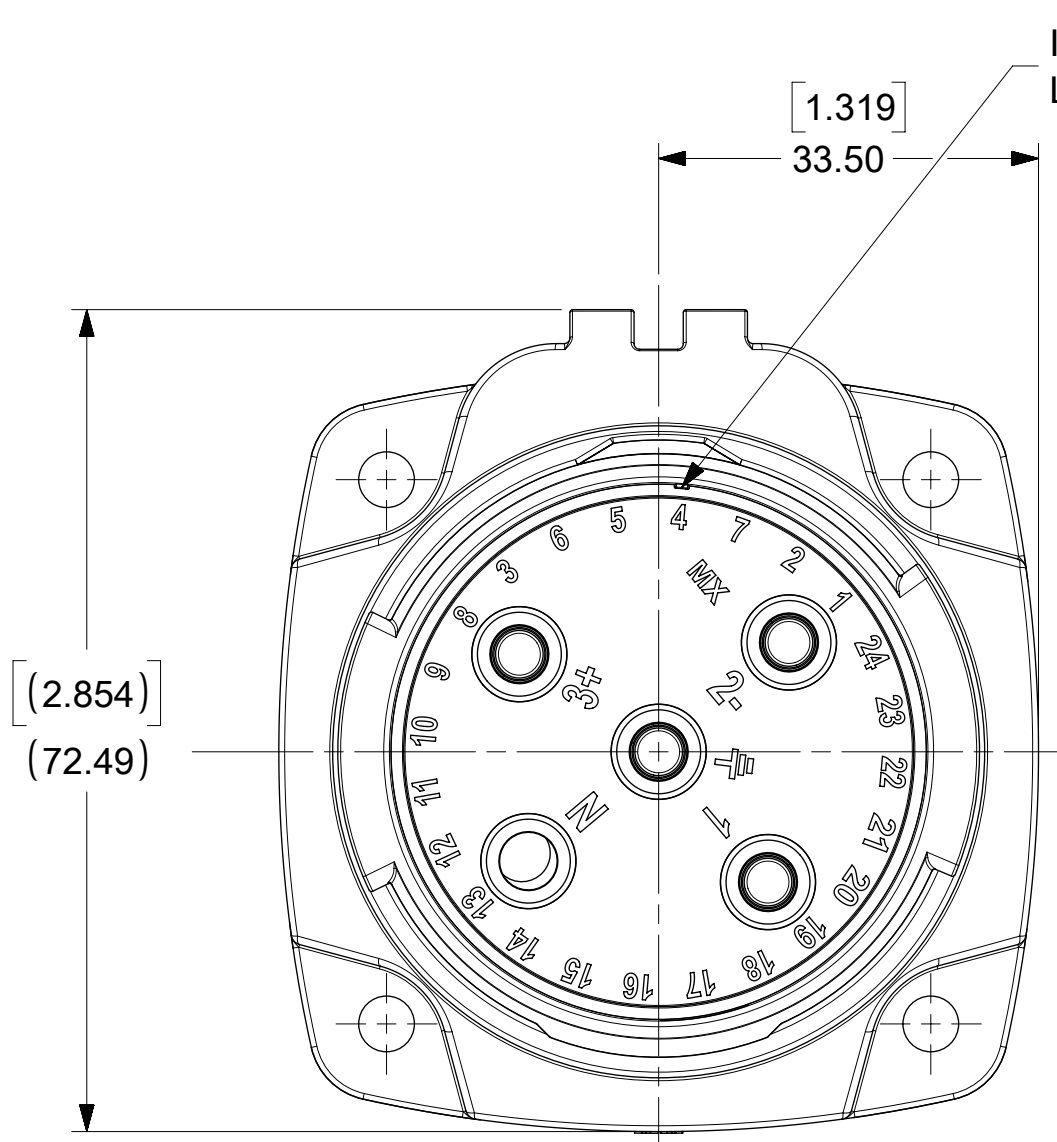


MATERIAL NUMBER	ENG NO.	DESCRIPTION	INSULATOR KEYING POSITION	HORSEPOWER RATING
1122191001	ARC30MA01	ARC 30A M 125VAC 1P+N+G	7	1 HP
1122191002	ARC30MB02	ARC 30A M 250VAC 2P+G		3 HP
1122191003	ARC30MB03	ARC 30A M 250VAC 3P+G		5 HP
1122191004	ARC30MAB04	ARC 30A M 125/250VAC 2P+N+G	16	NA
1122191005	ARC30MC02	ARC 30A M 208VAC 2P+G		5 HP
1122191006	ARC30MC03	ARC 30A M 208VAC 3P+G		NA
1122191007	ARC30MAC05	ARC 30A M 120/208VAC 3P+N+G	4	NA
1122191008	ARC30MD01	ARC 30A M 277VAC 1P+N+G		NA
1122191009	ARC30ME02	ARC 30A M 480VAC 2P+G		NA
1122191010	ARC30ME03	ARC 30A M 480VAC 3P+G	14	NA
1122191011	ARC30MDE05	ARC 30A M 277/480VAC 3P+N+G		NA
1122191012	ARC30MF02	ARC 30A M 600VAC 2P+G		NA
1122191013	ARC30MF03	ARC 30A M 600VAC 3P+G	14	NA
1122191014	ARC30MGF05	ARC 30A M 347/600VAC 3P+N+G		NA



SCALE 1:1

MOUNTING PATTERN
 CLEARANCE FOR 8-32 FASTENER



NOTES:

MATERIALS:
 HOUSINGS AND INSULATORS: GLASS FILLED PBT
 CONTACTS: COPPER ALLOY WITH A SILVER NICKEL TIP, SILVER PLATED.
 MOUNTING GASKET: SILICONE

RATING:
 CURRENT: 30 AMPS
 VOLTAGE AND HORSEPOWER: SEE TABLE
 OPERATING TEMPERATURE: -40°C (-40°F) TO 60°C (140°F)
 ENVIRONMENTAL: NEMA TYPE 4X
 WIRING CAPACITY: 12 AWG MIN. TO 8 AWG MAX.
 TORQUE TERMINAL SCREWS TO 1.7 N-M (15 in/lbs)
 AGENCY: UL LISTING PENDING
 SWITCH RATED INLET/PLUG
 BRANCH CIRCUIT DISCONNECT SWITCH
 MOTOR CIRCUIT DISCONNECT SWITCH IF HP RATED

THIS DRAWING REPLACES SD-112219-101

ARC30ME03 SHOWN

QUALITY SYMBOLS		THIS DRAWING CONTAINS INFORMATION THAT IS PROPRIETARY TO MOLEX ELECTRONIC TECHNOLOGIES, LLC AND SHOULD NOT BE USED WITHOUT WRITTEN PERMISSION		DIMENSION UNITS		SCALE	
▽ = 0	▽ = 0	▽ = 0	▽ = 0	MM [INCH]	1.5:1	molex	
▽ = 0	▽ = 0	▽ = 0	▽ = 0	DRWN BY	DATE		
▽ = 0	▽ = 0	▽ = 0	▽ = 0	GENERAL TOLERANCES (UNLESS SPECIFIED)		30A ArcArrest™ INLET/PLUG	
▽ = 0	▽ = 0	▽ = 0	▽ = 0	4 PLACES ±	±	KJ	5/24/2017
▽ = 0	▽ = 0	▽ = 0	▽ = 0	3 PLACES ±	± 0.005	CHK'D BY	DATE
▽ = 0	▽ = 0	▽ = 0	▽ = 0	2 PLACES ±	± 0.13 ± 0.010	BR	5/24/2017
▽ = 0	▽ = 0	▽ = 0	▽ = 0	1 PLACES ±	± 0.25 ± 0.020	APPR BY	DATE
▽ = 0	▽ = 0	▽ = 0	▽ = 0	0 PLACES ±	±	JM	5/24/2017
▽ = 0	▽ = 0	▽ = 0	▽ = 0	ANGULAR TOL = 0.5°		PRODUCT CUSTOMER DRAWING	
▽ = 0	▽ = 0	▽ = 0	▽ = 0	DRAFT WHERE APPLICABLE MUST REMAIN WITHIN DIMENSIONS		SERIES MATERIAL NUMBER CUSTOMER	
▽ = 0	▽ = 0	▽ = 0	▽ = 0	DRAWING SIZE		112219 SEE TABLE GENERAL MARKET	
▽ = 0	▽ = 0	▽ = 0	▽ = 0	THIRD ANGLE PROJECTION		DOCUMENT NUMBER DOC TYPE DOC PART SHEET NUMBER	
▽ = 0	▽ = 0	▽ = 0	▽ = 0	C		1122191010 PSD 000 1 OF 1	

DOCUMENT STATUS	P1	RELEASE DATE	2018/05/10	16:43:17
-----------------	----	--------------	------------	----------