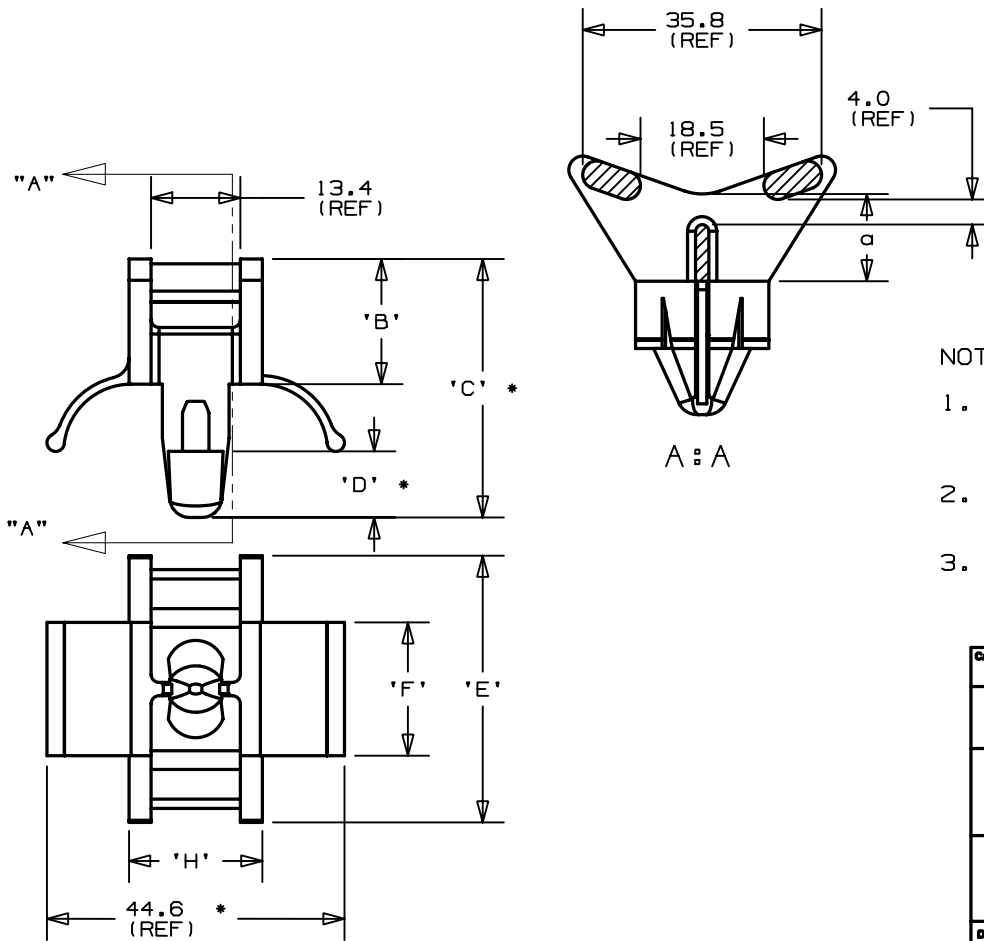


THIS COPY IS PROVIDED ON A RESTRICTED BASIS AND IS NOT TO BE USED IN ANY WAY DETRIMENTAL TO THE INTERESTS OF PANDUIT CORPORATION.

PANDUIT PART NO.	DIMENSIONS								MATERIAL	COLOR	CABLE TIE TYPES	WEIGHT	
	'A'	'B'	'C'	'D'	'E'	'F'	'H'	grams				100 pcs	
TMEHP10--....0	13	18.9	39.9	10	40	20	20		WEATHER RESISTANT NYLON 6/6	BLACK	M, I, S, H, EH	670	



NOTES:

- SEE CURRENT PRICE SHEET FOR PART NUMBER SUFFIX DESIGNATION FOR PACKAGE SIZE, AND COLOR.
- (*) DIMENSIONAL VARIANCE IS POSSIBLE DUE TO MOLDING PROCESS RELATED SINK MARKS.
- APPLICATION SPECIFICATION:
HOLE DIAMETER: 9.0 - 11.0 mm
PANEL THICKNESS: 3.0 - 8.0 mm

CAD FILENAME/LAYERS		G01932B1_PB-TMEHP10_02	
PANDUIT CORP.		TINLEY PARK, ILLINOIS	
MOUNT WITH PUSH MOUNT ANCHOR			
Unless otherwise specified, all dimensions are metric tolerance; ±0.5mm			
DRAWN BY	JAD	MAT'L:	SCALE FULL
DATE	5-11-98	SEE TABLE	DRAWING NO.
REV			GB1932B1
			A SIZE

REV	DATE	BY	CHK	DESCRIPTION	ECN	R	CUST	SUP
2	4/29/03	JAD		COMPLETELY REVISED, REMOVED GERMAN TEXT	681932B1	R		