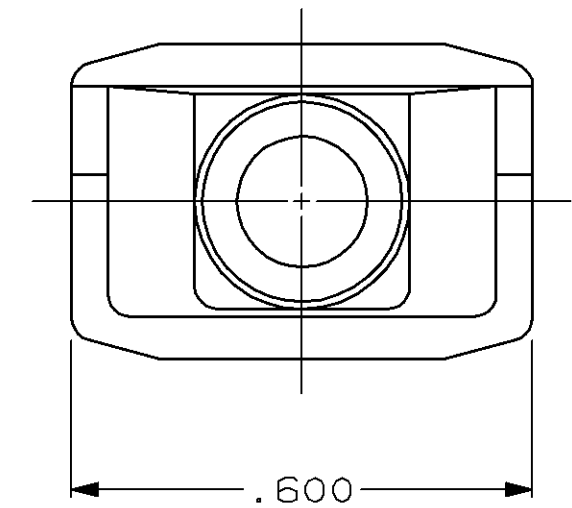
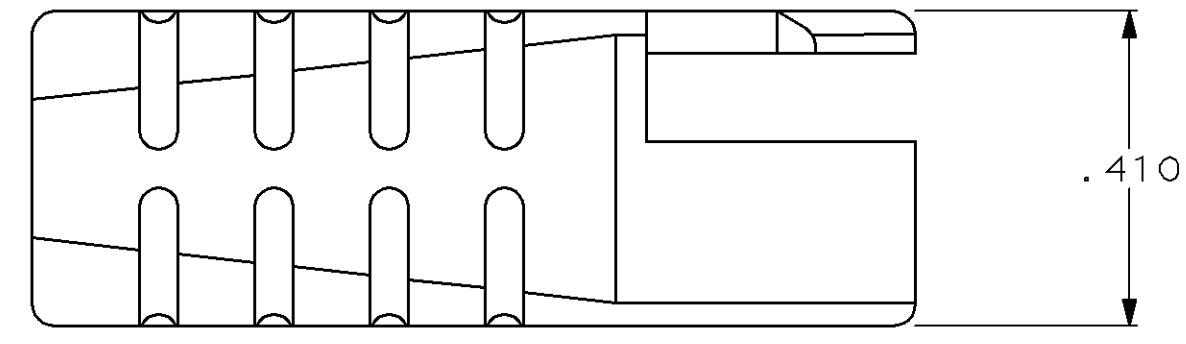
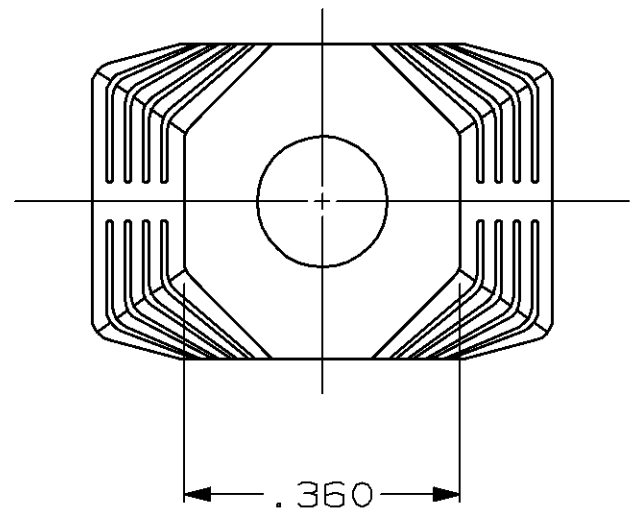
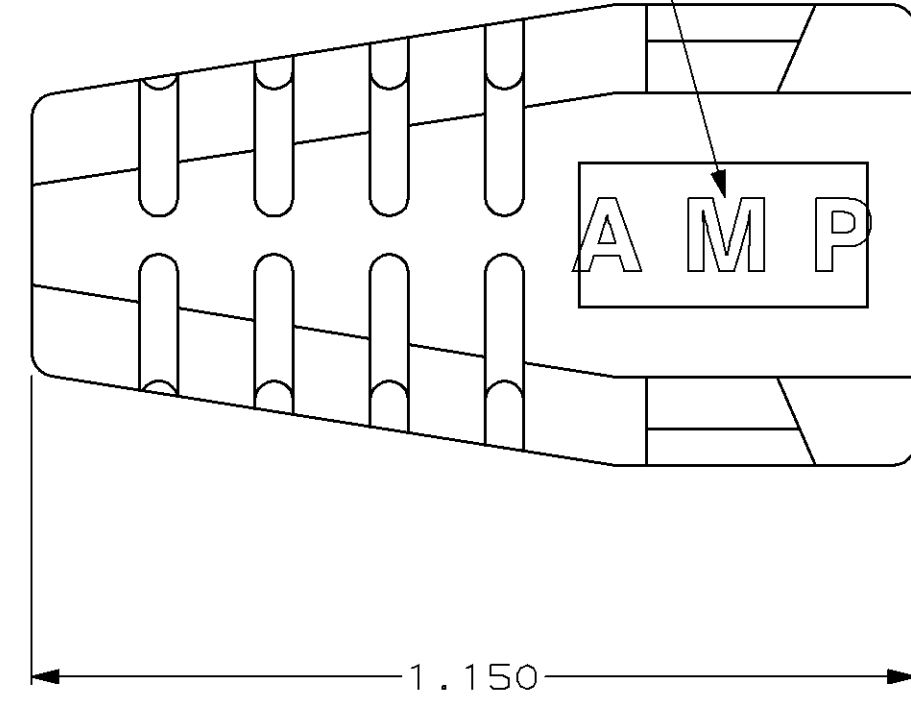


THIS DRAWING IS UNPUBLISHED. RELEASED FOR PUBLICATION  
 © COPYRIGHT 19 BY AMP INCORPORATED. ALL INTERNATIONAL RIGHTS RESERVED.

LOC	DIST	P	F	ZONE	LTR	DESCRIPTION	DATE	APPD
BD	50				E	REDRAWN	10/8/90	-
					F	RLSE 520852-5 & -6 NPR4397 WAS 92-1014-3-1 & -2	10/06/92	JP
					G	OBS -2 & -6 PER EC 0020-1575-93	04/27/94	SM
					H	REV PER EC 0020-0017-95	01/20/95	RB
					J	REV PER EC 0020-475-95	24 OCT 95	RB
					K	REV PER EC 0410-251-97	22 SEP 97	JDS

LOGO, SEE TABLE



OBSOLETE	NO	GRAY	520852-6
OBSOLETE	YES	GRAY	520852-2
	YES	BLACK	520852-1
	LOGO	COLOR	PART NUMBER

1. BOOT ACCEPTS CABLE .168-.225 DIA.
2. SEE APPLICATION SPECIFICATIONS 114-2090 OR 114-2102 FOR ASSOCIATED PLUG AND CABLE SPECIFICATIONS.
3. SLIDE BOOT OVER UNTERMINATED CABLE, COMPLETE TERMINATION PER ABOVE SPECIFICATIONS, AND SLIDE BOOT OVER COMPLETED PLUG ASSEMBLY.

DO NOT SCALE PRINT. UNLESS SPECIFIED DIMENSIONS IN INCHES TOLERANCES ON : 2 PLC DEC ± - 3 PLC DEC ± .010 ANGLES ± -	DR 10/8/90 A.STAUB BG	AMP Incorporated Harrisburg, PA 17105-3608		
	CHK 3-1-91 R.STONE			
MATERIAL  THERMOPLASTIC RUBBER	APPD 3-5-91 J.PRITULSKY	NAME  6 POSITION SDL ROUND PLUG BOOT		
	APPD 3-5-91 J.PRITULSKY			
FINISH  -	PRODUCT SPEC -	SIZE C	CAGE CODE 00779	DRAWING NO 520852
	APPLICATION SPEC -	WEIGHT -	SCALE 4:1	SHEET 1 OF 1