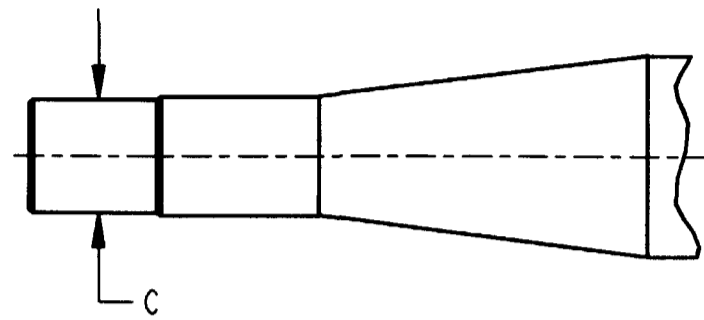
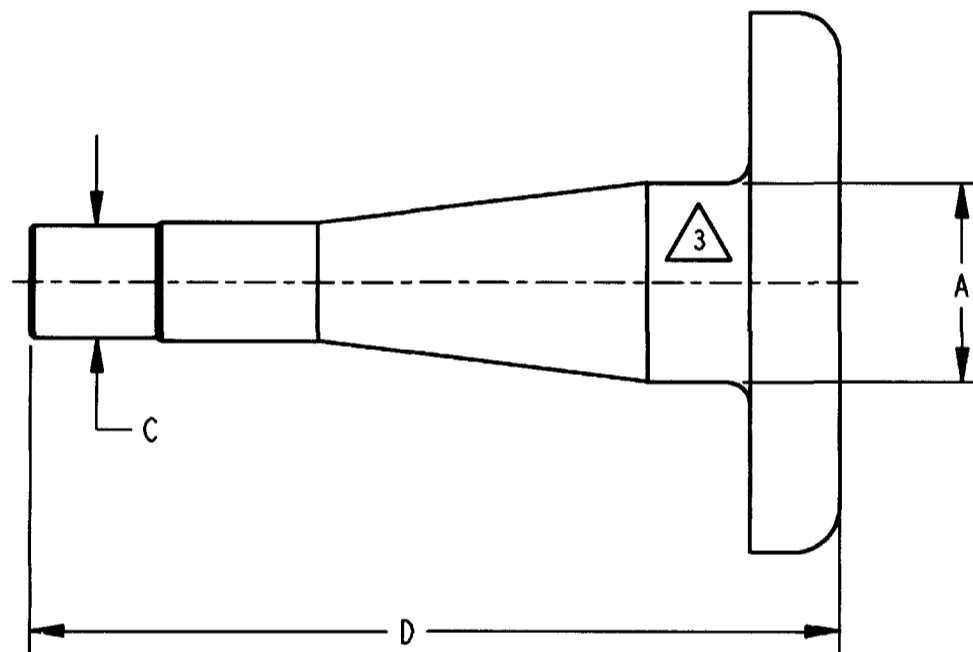


REV
D 114008-114010

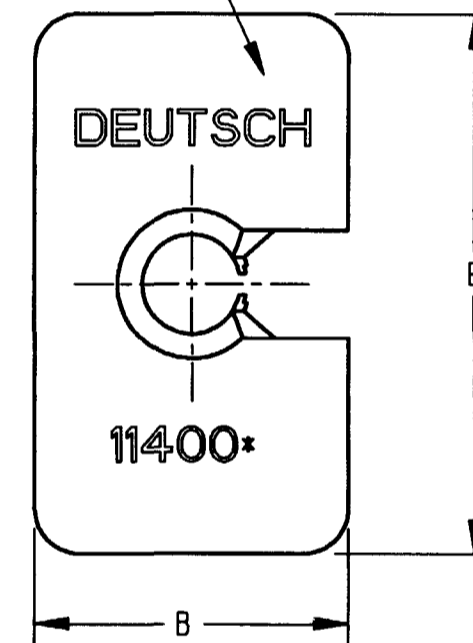
REVISIONS			
SYM	DESCRIPTION	DATE	APPROVED
A	REVISED PER E.O. P74233	8/16/73	KERK
B	REVISED PER E.O. 79792	5/19/75	M.K.
C	REVISED PER E.O. A6833	7/1/87	J.A.
D	REVISED/REDRAWN PER E.O. P17595	1-31-02	RDR



SIZE 8 CONFIGURATION



IDENTIFICATION LOCATION



PART NO.	SIZE	±.015 A	±.031 B	REF C	MAX D	±.031 E
114008	8	.555	.875	.314	2.250	1.500
114009	4	.740	.875	.435	3.100	1.500
114010	12	.350	.625	.202	2.300	1.250

3. IDENTIFICATION LOCATION OPTIONAL.

2. CONNECTOR APPLICATION:
THESE TOOLS ARE USED WITH HD SERIES CONNECTORS.

NOTES: 1. MATERIAL: PLASTIC, COLOR FOR SIZE 4 IS WHITE SIZE 8 IS GREEN AND SIZE 12 IS YELLOW.

SIGNATURE & DATE	
DR	X. SANCHEZ 23 JAN 02
CHK	Jami Garcia 1/3/02
PE	SBend 1-25-02
APPD	SBend 1-25-02
SCALE	NONE WT

PROBE-TOOL
EXTRACTION
SIZE 4, 8 AND 12

ENVELOPE

CP	MATL. CODE
	The Deutch Company DEUTSCH I.P.D. 3850 INDUSTRIAL AVE. HEMET, CALIF. 92545
B	114008-114010
DWG SIZE	CODE 11139 SHEET OF