

PRODUCT NUMBER
73304-XXXLF

PLATING OPTION	
1=	GXT 0.76 μm
3=	GOLD 0.76 μm
5=	GOLD 1.27 μm

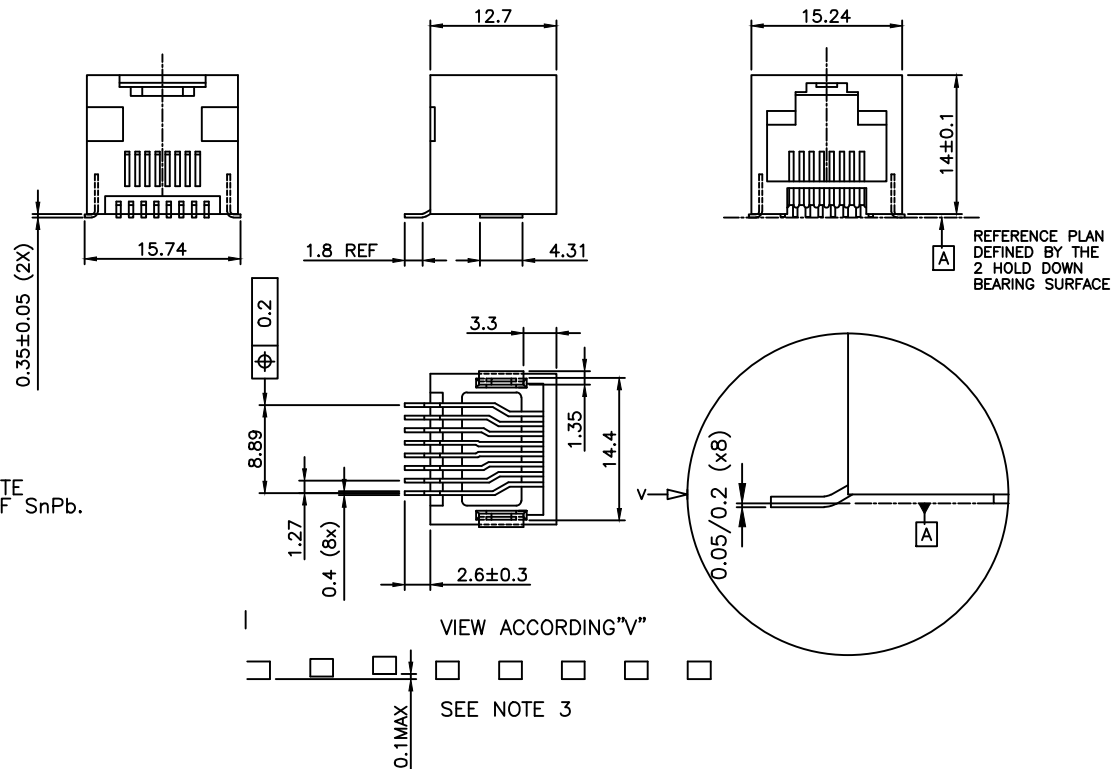
PACKAGE OPTION	
1=	TAPE ON REEL
2=	TUBE
3=	TAPE ON REEL IN PLASTIC BAG

TERMINAL LOADING	
1=	FULLY LOADED
2=	POS 1,2,7,8
3=	POS 3,4,5,6

WHEN NEEDED, SUFFIX LETTER "LF" INDICATES THE PRODUCT IS RoHS COMPATIBLE, SEE NOTE 4.

NOTES:

- 1 - MATERIAL: HOUSING: HIGH TEMP. PCT, COLOUR BLACK.
TERMINAL: PHOSPHOR BRONZE.
- 2 - PLATING: CONTACT AREA: SEE TABLE.
SOLDER TAIL : 90/10 SnPb 2 μm MIN.
WHEN SUFFIX "LF" IS REQUIRED, 2 μm MIN MATTE TIN OVER 1.27 MIN Ni IS SUPPLIED INSTEAD OF SnPb.
NO RAW EDGES EXCEPT SOLDER TAIL TIPS
- 3 - SOLDER TAILS COPLANARITY : 0.1 mm
- 4 - RoHS COMPATIBLE PRODUCT SPECIFICATIONS
 - a - PLATING:
 - "LF" MEANS THE PRODUCT IS LEAD-FREE, 2 μm MINIMUM MATTE TIN OVER 1.27 μm MINIMUM NICKEL UNDERPLATE.
 - b - MANUFACTURING PROCESS COMPATIBILITY
 - THE HOUSING WILL WITHSTAND EXPOSURE TO 245°C PEAK TEMPERATURE FOR 30 SECONDS MAX IN A CONVECTION, INFRA-RED OR VAPOR PHASE OR REFLOW OVEN.
 - c - LABELING:
 - MEETS PACKAGING SPECS AS PER GS-14-920
 - d - LEGAL STATEMENT: SEE GS-47-0004
- 5 - PACKAGING FOR OPTION 3 : EACH REEL IS WRAPPED INTO A PLASTIC BAG TO PROTECT FROM MOISTURE DURING STACKING TIME.



VIEW ACCORDING "V"

SEE NOTE 3

CUSTOMER COPY FOR REFERENCE ONLY

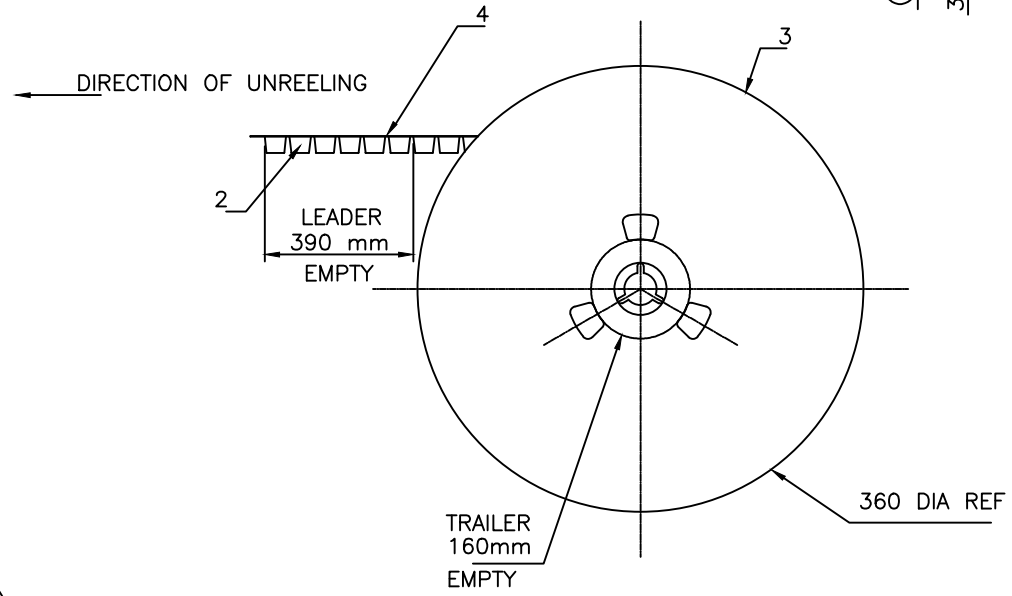
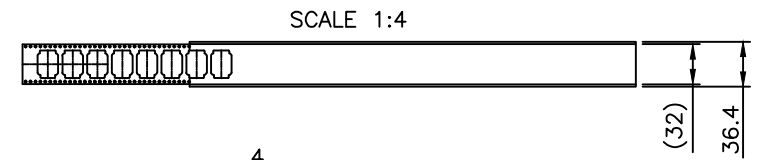
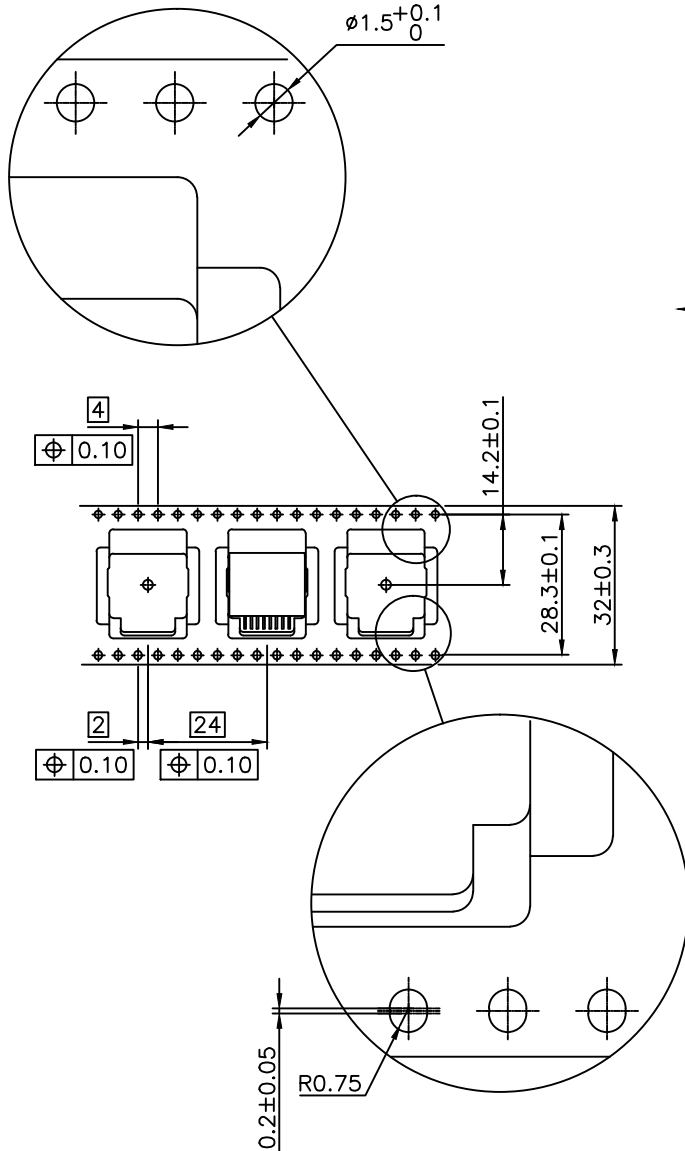
mat'l. code		surface		tolerance		projection		product family	
		ISO 1302		ISO 406 ISO 1101		mm		MOD JACK	
ltr		ecn no		date		tolerances unless otherwise specified		title	
H		F06-0240		DLE		06.07.18		SMT RA JACK	
J		F09-0070		LSA		02.07.23		8 POS OUTSIDE	
K		B-15798		JFA		13.09.09		scale 2:1	
L		F-21888		AMA		15.09.09		sheet 1 of 3	
		dr		D LEGRAND		03.01.27		size	
		enr		F TISSERAND		03.01.27		73304	
		chr		JF NOTTEAU		03.01.27		A3	
		app		F.TI		03.01.27		type	
		CUSTOMER Drawing							
sheet		revision		L		E		B	
index		sheet		1		2		3	



Copyright FCI

PRODUCT NUMBER
SEE SHEET 1

LTR	PART NAME	QTY
1	PRODUCT	230
2	TAPE	1
3	REEL	1
4	COVER TAPE	1



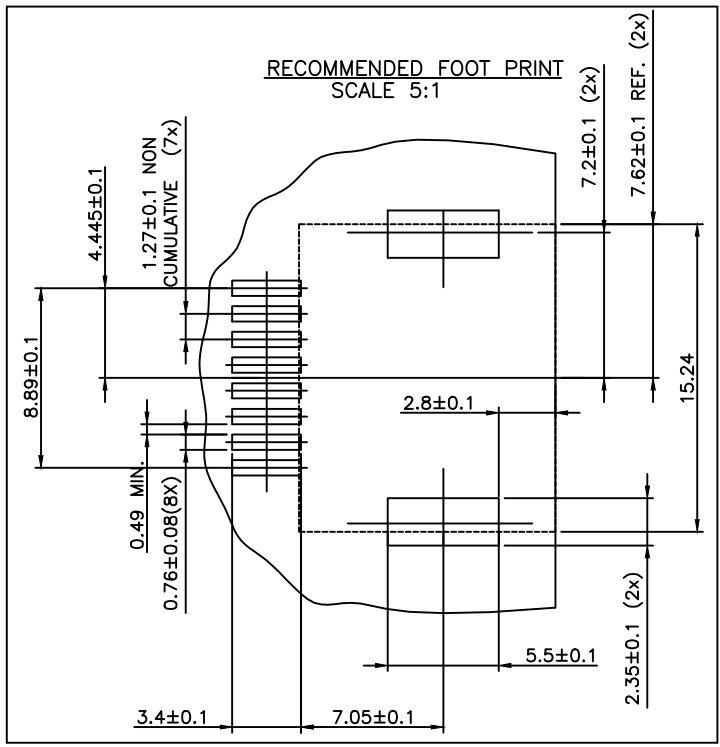
1- IN ACCORDANCE WITH EIA-481 AND IEC 296-3

CUSTOMER COPY FOR REFERENCE ONLY

mat'l. code		surface ISO 1302 ✓		tolerance ISO 406 ISO 1101		projection mm		product family MOD-JACK	
ltr		ecn no		dr		date		title SMT RA JACK 8 POS. OUTSIDE	
D		D80620		DLE		98.11.26		scale 2:1	
E		F06-0240		DLE		06.07.18			
				angles		linear		dwg no 73304	
				dr		D LEGRAND		sheet 2 of 3 size A3	
				engr		P NIZZI		type CUSTOMER Drawing	
				chr		D LEGRAND			
				appd		P NIZZI			
sheet index		revision sheet							



Copyright FCJ



FCconnect.com

CUSTOMER COPY FOR REFERENCE ONLY

mat'l. code		surface		tolerance		projection		product family	
		ISO 1302 <input checked="" type="checkbox"/>		ISO 406 ISO 1101				MOD JACK	
ltr		ecn no		date		tolerances unless otherwise specified		title	
A		F04-0363		DLE 04.10.18		±0.13		SMT RA JACK	
B		F06-0240		DLE 06.07.18		mm		8 POS OUTSIDE	
		angles		linear		scale 2:1		dwg no	
		±2°						sheet 3 of - size	
		dr		D LEGRAND 04.10.18				73304	
		engr		P NIZZI 04.10.18				A4	
		chr		D LEGRAND 04.10.18					
		appd		P.NZ 04.10.18					
sheet index		revision sheet						type	
								CUSTOMER Drawing	

form: A4