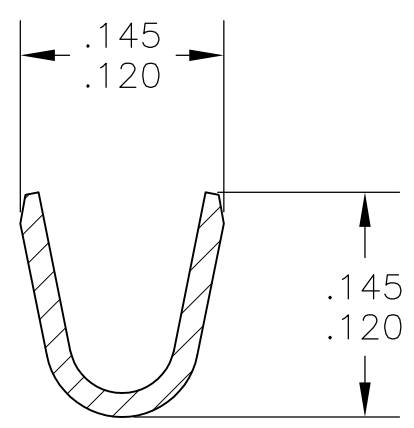
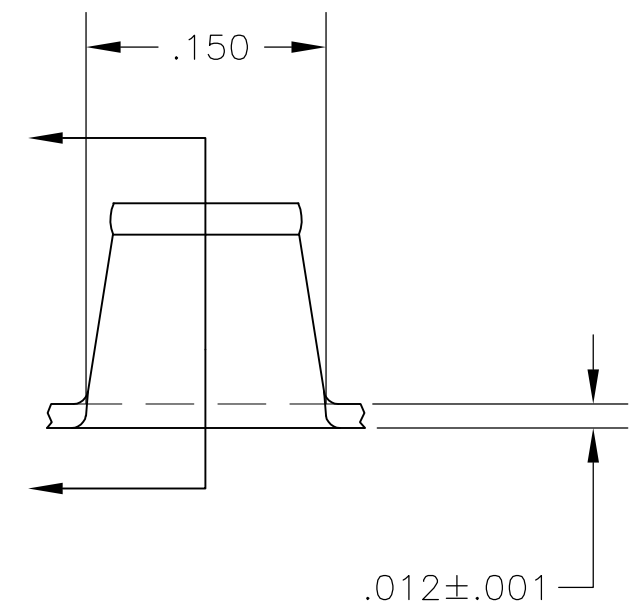
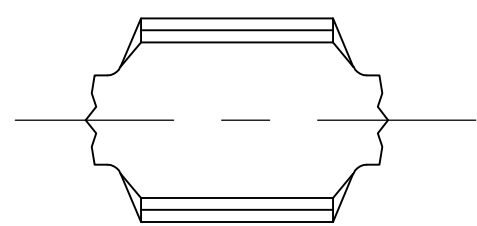


THIS DRAWING IS UNPUBLISHED. RELEASED FOR PUBLICATION
 © COPYRIGHT BY TYCO ELECTRONICS CORPORATION. ALL RIGHTS RESERVED.

LOC	DIST	REVISIONS					
AF	50	P	LTR	DESCRIPTION	DATE	DWN	APVD
			H2	ECR-07-018635(REDRAWN IN AUTOCAD)	08AUG07	HMR	GP

- 1 CONTINUOUS STRIP ON REELS
- 2 WIRE RANGE FOR NEW APPLICATIONS: 3200-3900 CMA
 (WIRE RANGE APPROVED FOR APPLICATIONS IMPLEMENTED
 PRIOR TO 2005: 1600-4200 CMA).



42329-1
 PART NO

THIS DRAWING IS A CONTROLLED DOCUMENT.		DWN	M.S. FEHER	14NOV2005	Tyco Electronics Corporation Harrisburg, PA 17105-3608			
DIMENSIONS: INCHES		CHK	G.D. PORTA	14NOV2005				NAME
		APVD	G.D. PORTA	14NOV2005	PRODUCT SPEC			
		APPLICATION SPEC			SPLICE			
		MATERIAL			SIZE	CAGE CODE	DRAWING NO	RESTRICTED TO
		STEEL			A300779		C-42329	—
		FINISH			CUSTOMER DRAWING			SCALE
		.000100 MIN NICKEL			5:1			SHEET
					1 OF 1			REV
								H2