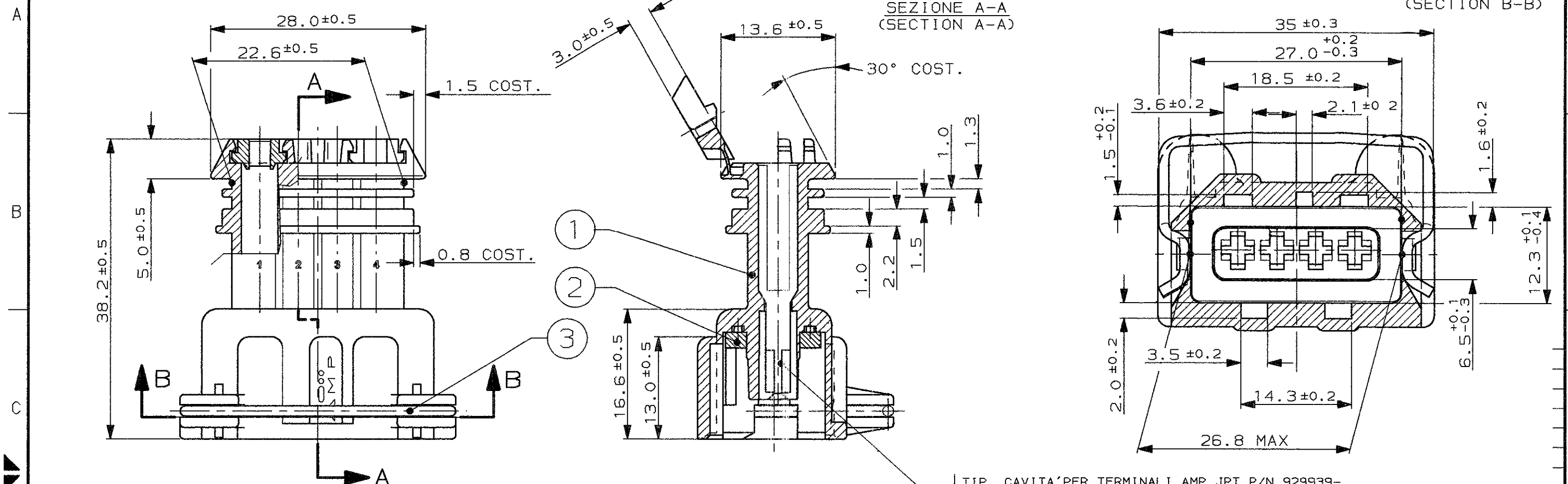


CONNETTORE TIPO A (CON MOLLA DI RITEGNO ESTERNA)  
CONNECTOR TYPE A (WITH EXTERNAL SPRING)

SCALA NON IMPEGNATIVA (DO NOT SCALE)  
DIMENSIONI IN mm (DIMENSIONS IN mm) **METRIC**  
PROIEZIONE EUROPEA (EUROPEAN PROJECTION)

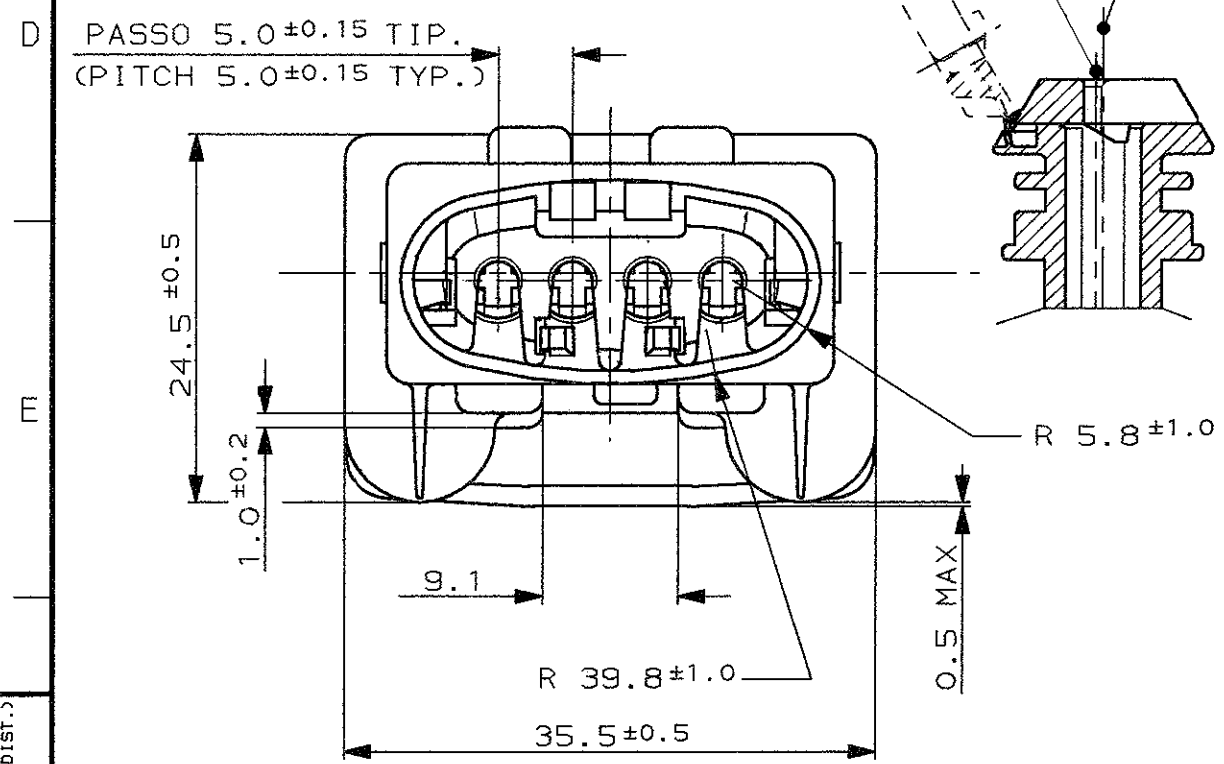
SEZIONE B-B (SECTION B-B)



TIP. CAVITA' PER TERMINALI AMP JPT P/N 929939-...  
OPPURE 929937-... E RELATIVI GOMMINI  
AMP P/N 828904-1, 828905-1, 282536-1.  
TAPPO CAVITA' P/N 828906-2  
(TYP. CAV. FOR JPT CONT. P/N 929939-... A/O 929937-... AND REL.  
SINGLE WIRE SEAL P/N 828904-1, 828905-1, 282536-1  
CAVITY PLUG P/N 828906-2)

ASSE CONNETTORE (CONNECTOR CENTER LINE)

ASSE CAVITA' (CAVITY CENTER LINE)



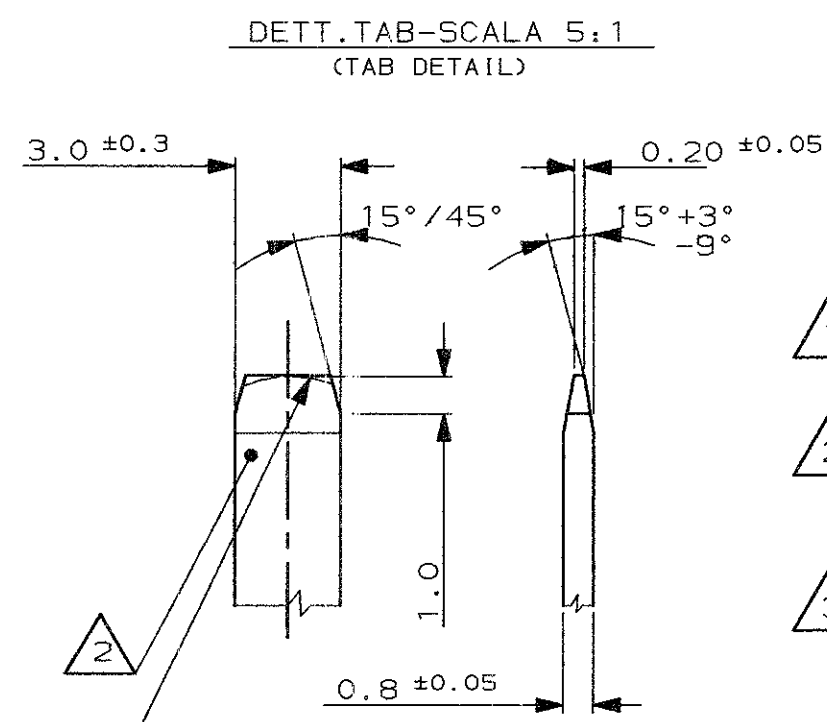
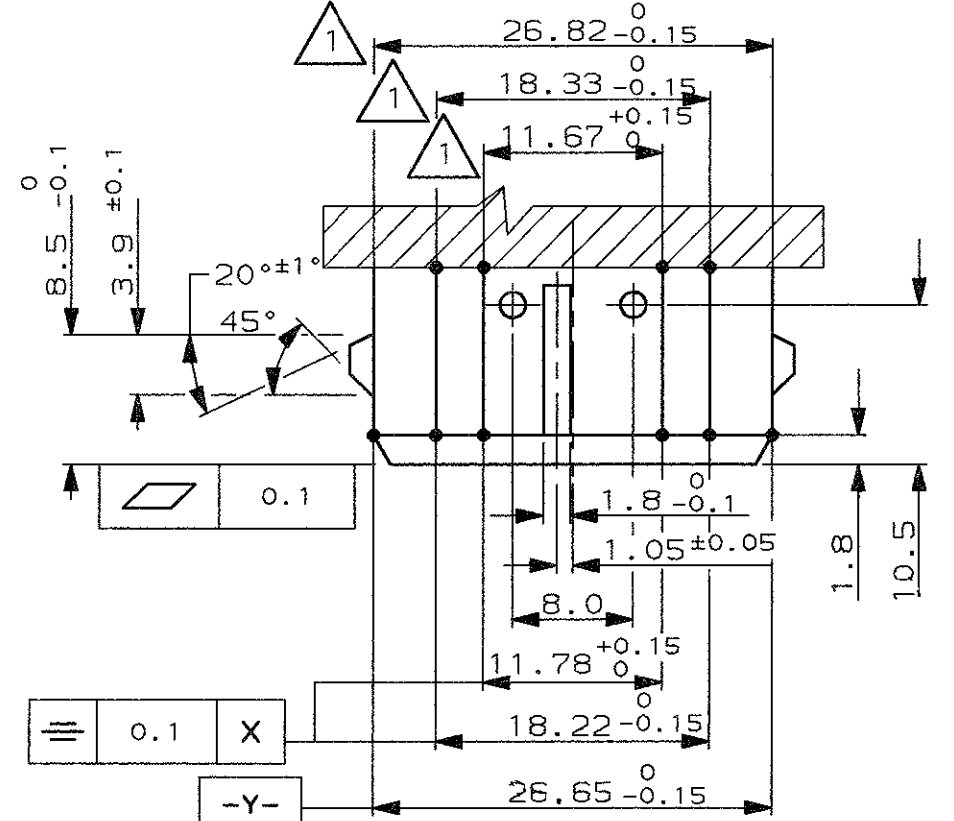
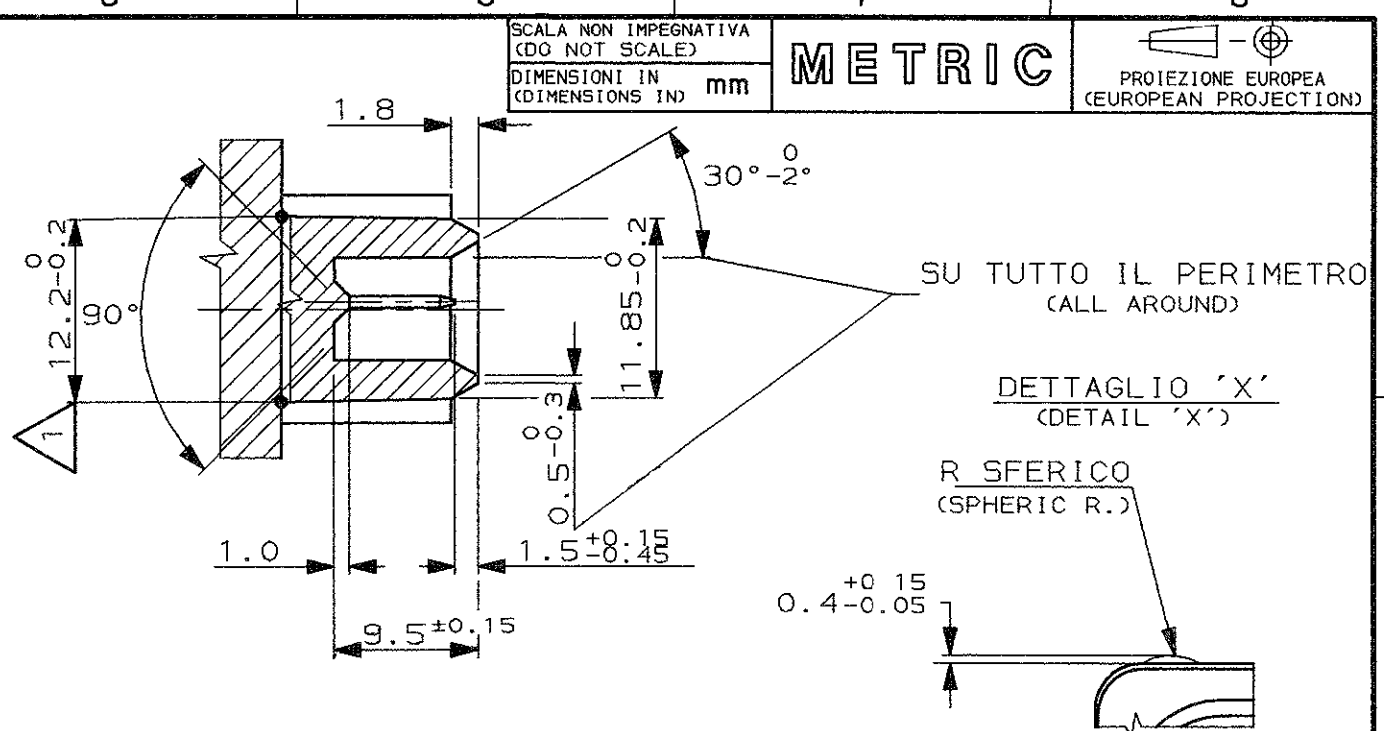
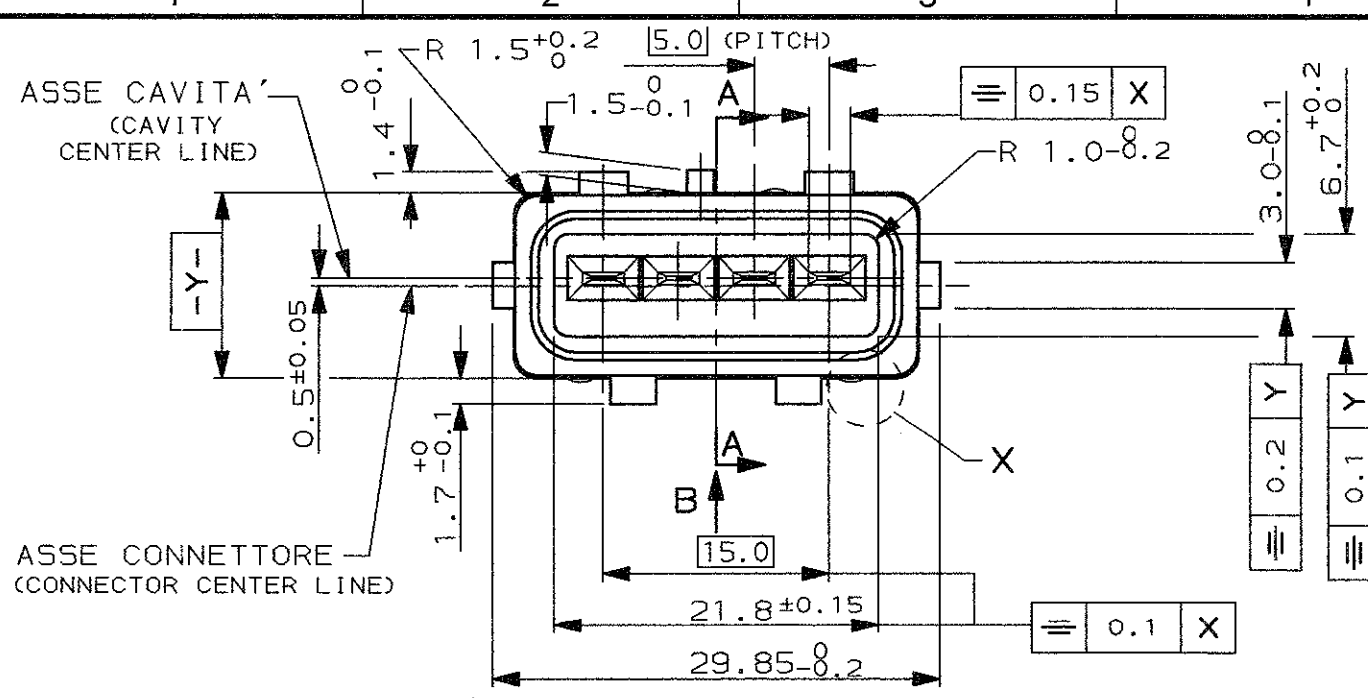
ROSSO (RED)	-----				
GIALLO (YELLOW)	-----				
MARRONE (BROWN)	-----				
BLU (BLUE)	-----		3	\\\\\\\\\\\\	ACCIAIO INOX (STAINLESS STEEL)
VERDE (GREEN)	-----				
NATURALE (NATUR)	-----		2	NATURALE (NATURAL)	GOMMA (RUBBER)
GRIGIO (GREY)	282342-1	F	1	\\\\\\\\\\\\	PA 6.6 C.VETRO (PA 6.6 G.F)
NERO (BLACK)	-----				BLOCCHETTO (HOUSING)
COLORE (COLOR)	NUMERO (PART. N°)	ASSY (REV.)	N° (ITEM)	FINITURA / COLORE (FINISH / COLOUR)	MATERIALE (MATERIAL)
					DESCRIZIONE (DESCRIPTION)

CUSTOMER DWG. FOR REFERENCE ONLY  
DISEGNO PER CLIENTE SOLO PER RIFERIMENTO

THIS DRAWING IS UNPUBLISHED		RELEASE FOR PUBLICATION		19
© COPYRIGHT 19 BY AMP INCORPORATED, HARRISBURG, PA. ALL INTERNATIONAL RIGHT RESERVED. AMP PRODUCTS MAY BE COVERED BY U.S. AND FOREIGN PATENT AND/OR PATENT PENDING				
M1	REVISED PER ECR-09-015789	M.G.	3-8 2009	
M	REVISED FOR ET00-0385-99	M.P.	2-4 01	
L	AGGIOR. CON ET00-0221-96	A.F.	27-5 '96	
C	AGGIOR. CON ET00-0108-95	M.P.	11-5 '95	
B	AGG. FOGLIO 2 (ADDED SH.2)	R.M.	3-9 '92	
A	IN PRODUZIONE (IN PRODUCTION)	R.M.	13-10 '92	
1	P/N WAS C-91-5106B-2	R.M.	2-3 '92	
REV. (REV.)	REVISIONI (REVISION RECORD)	DIS. (DR)	DATA (DATE)	

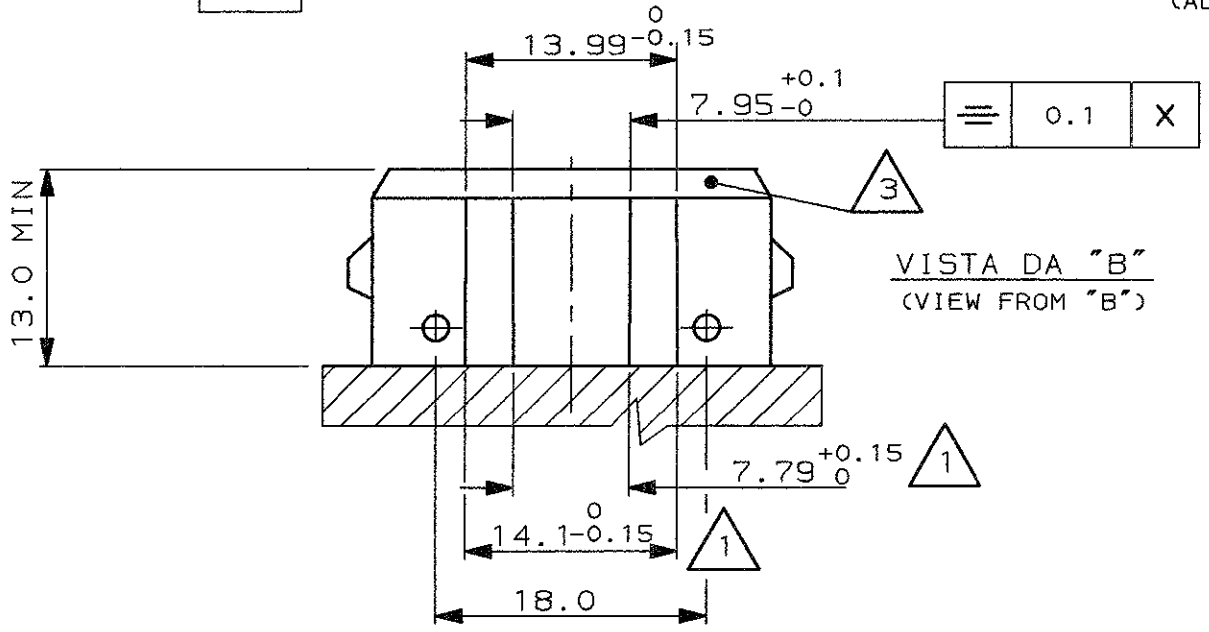
DIAM. ISOLANTE (INS. DIA. RANGE) 1.5-3.0 (REDUCED INS. CABLE)  
RANGO FILO (WIRE RANGE) 0.5-2.5 mm<sup>2</sup> \*\*\*  
SCALA (SCALE) \*\*\*  
Tyco Electronics Tyco Electronics AMP Italia S.r.l. Corso F.lli Cervi 15, Collegno (TO)  
DESCRIZIONE (DESCRIPTION) 4 W. SPLASH PROOF CONN. ASS'Y with SPEC. POLARIZATION AND SEC. LOCK  
LOC. SIZE (DWG NO) I A3 C-282342 M1 1 (OF) 2

DISTRIBUZIONE (PRINT DIST.)



- 1 QUOTE APPLICABILI PER SFORMATURA PEZZO (DRAFT PERMITTED TO FACILITATE REMOVAL OF PART FROM THE MOULD)
- 2 MATERIALE LINGUETTE: LEGA DI RAME STAGNATA, ES. OTTONE STAGNATO. (TAB CONTACT MATERIAL: TIN PLATED COPPER ALLOY. E.G. BRASS TIN PLATED)
- 3 MATERIALE BLOCCHETTO: TERMOPLASTICO CARICATO FIBRA VETRO. (HOUSING MATERIAL: THERMOPLASTIC, GLASS FIBER FILLED)

FORMA ALTERNATIVA PERMESSA CON RAGGIO (ALLOWED ALTERNATIVE PROFILE WITH RADIUS)



FINITURA / COLORE (FINISH / COLOUR)	MATERIALE (MATERIAL)	NUMERO (PART NUMBER)
CUSTOMER DWG. FOR REFERENCE ONLY	DISEGNO PER CLIENTE SOLO PER RIFERIMENTO	19
THIS DRAWING IS UNPUBLISHED		RELEASE FOR PUBLICATION
© COPYRIGHT 19 BY AMP INCORPORATED, HARRISBURG, PA. ALL INTERNATIONAL RIGHT RESERVED. AMP PRODUCTS MAY BE COVERED BY U.S. AND FOREIGN PATENT AND/OR PATENT PENDING		
TOLLERANZE, SE NON DIVERSAMENTE SPECIFICATO (TOLERANCES, UNLESS OTHERWISE SPECIFIED)	DIAM. ISOLANTE (INS. DIA. RANGE)	RANGO FILO (WIRE RANGE)
± 0.3	---	---
ANGOLI (ANGLES)	SCALA (SCALE)	
± 2°	---	
DIS. (DR.)	DESCRIZIONE (DESCRIPTION)	
---	4 POS. SPLASH PROOF CONN. ASS'Y w. SPEC. POLARIZATION AND SEC. LOCK	
CONT. (CHK)	LOC. SIZE	NUMERO (DWG NO)
---	I A3	C-282342
APP. (CAP)	REV.	FOLIO (SHEET)
---	M1	2 DI (OF) 2
REV. (REV.)	REVISIONI (REVISION RECORD)	DIS. DATA (DR) (DATE)
---	---	---

DISTRIBUZIONE (PRINT DIST.)