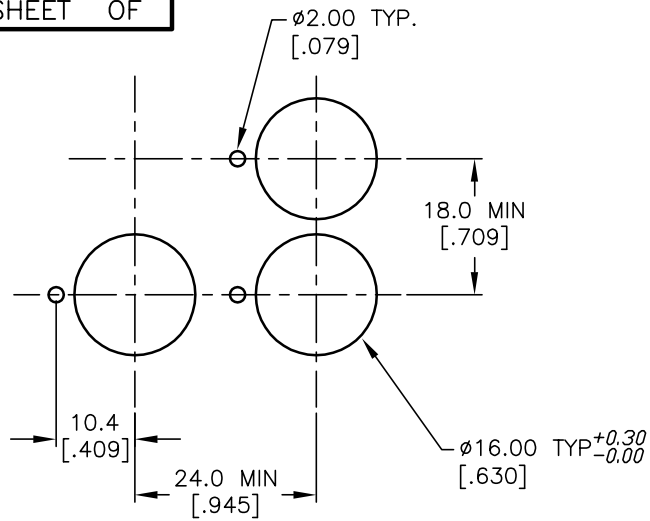


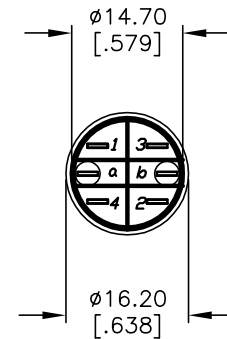
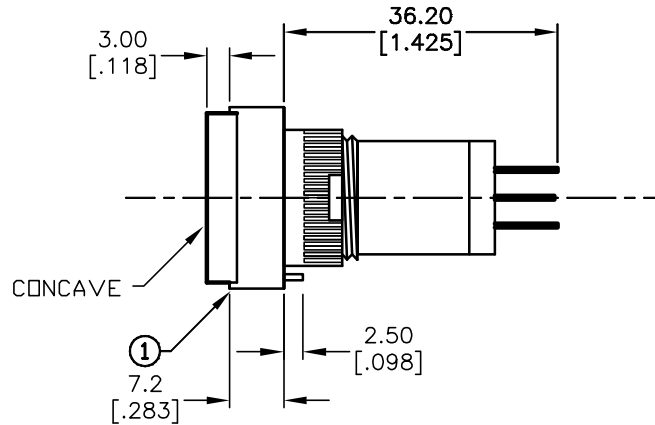
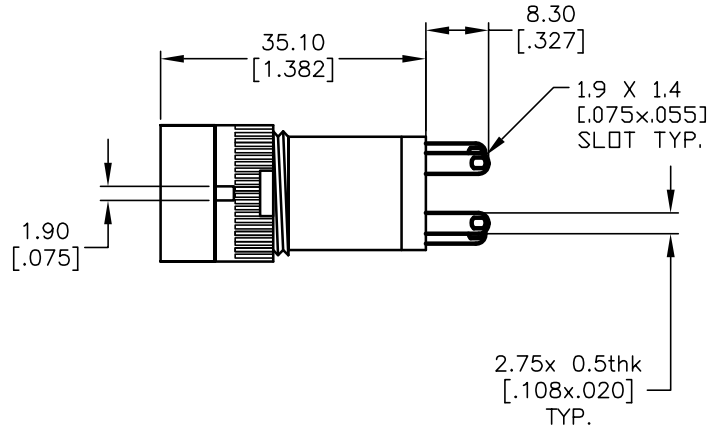
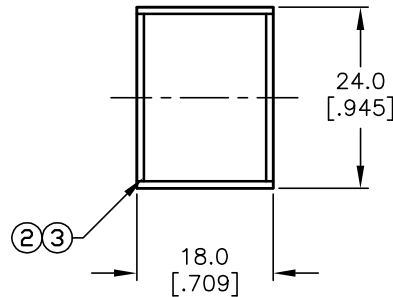
SHEET OF



RECOMMEND PANEL MOUNTING

1 0 1 0 2
 3 0 0 4
 a-(L)-b(+)

SPST
 CONTACT CONFIGURATION



PARTS LIST			
ITEM	QTY.	PART NO.	PART DESCRIPTION
1	1	F040013	P16 EE T11
2	1	F050404	50-004-04 (INCANDESCENT BULB)
3	1	F050205	50-002-05(WHT LENS TRANSPARENT)

NOTES:

- ALL DIMENSIONS IN MM [INCH]
- GENERAL TOLERANCE: X.X=±0.4
X.XX=±0.25
- TERM. NOS. FOR REFERENCE ONLY.
- RATING: 5A@250V AC / 8A@125V AC
- MECHANICAL LIFETIME: >2 MILLION OPERATIONS
- TRAVEL: 3.0MM
- CONTACT MATERIAL: COPPER ALLOY W/SILVER PLATING
- LAMP VOLTAGE: 14V AC/ 80mA DC

E-SWITCH®

REV.	ECN No.	DESCRIPTION	DATE	CHKD
A	13539	RELEASED FOR PRODUCTION	10/15/03	AR

TITLE				
P16 EE T11 B WHT (LATCHING)				
SCALE	DATE	DR	DWG	REV
1.5:1	10/15/03	AR	XF0363P	A

THE INFORMATION CONTAINED IN THIS DOCUMENT IS PROPRIETARY TO E-SWITCH AND IS NOT TO BE COPIED OR TRANSFERRED