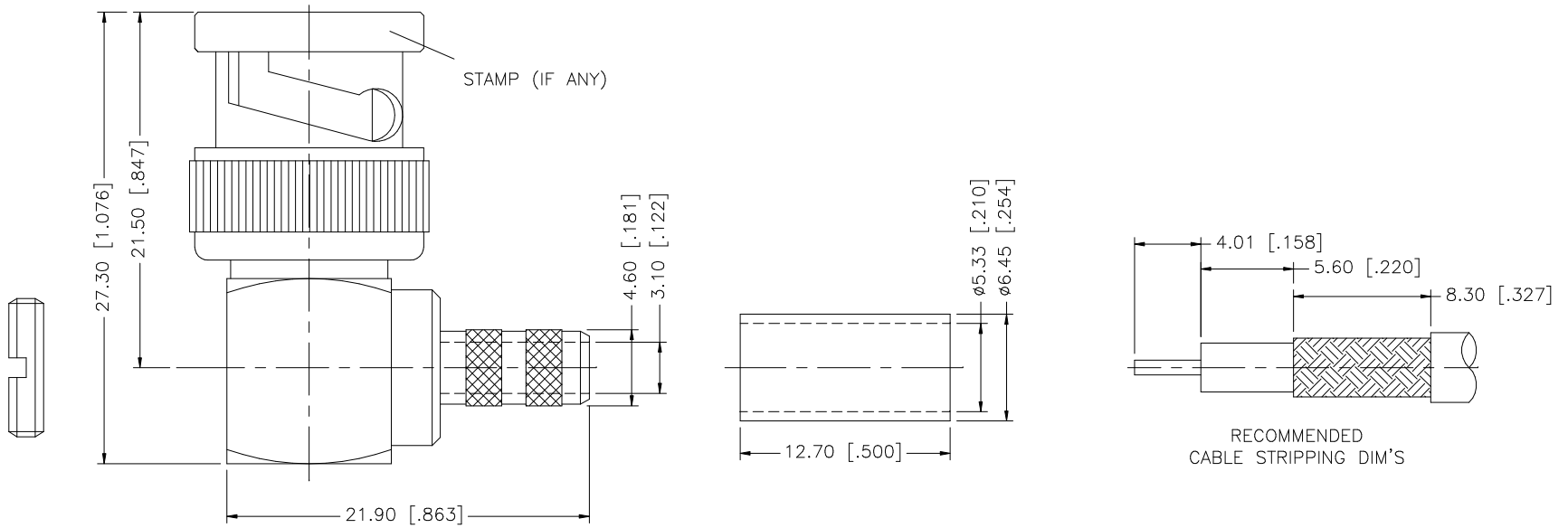


REV.	DATE	DESCRIPTION
NC	02/15/03	INITIAL RELEASE



NOTE:

1. CRIMPED FERRULE
HEX CRIMP SIZE .213"
2. CENTER CONTACT TO SOLDER

REV.	DATE	DESCRIPTION
NC	02/15/03	INITIAL RELEASE
8		
7		
6		
5	NUT	BRASS NICKEL 1
4	FERRULE	COPPER NICKEL 1
3	CONTACT PIN	BRASS GOLD 1
2	INSULATOR	DELTRIN NATURAL 1
1	BODY	BRASS NICKEL 1
	DESCRIPTION	MATERIAL FINISH QTY
UNLESS OTHERWISE SPECIFIED DIMENSIONS ARE IN MILLIMETERS. DIMENSIONS IN [] ARE IN INCHES AND FOR CUSTOMER REFERENCE ONLY.		
UNLESS OTHERWISE SPECIFIED TOLERANCES FOR MILLIMETERS ARE: 0.5 - 8mm ± 0.20mm 8 - 30mm ± 0.40mm 30 - 120mm ± 0.50mm		
UNLESS OTHERWISE SPECIFIED TOLERANCES FOR INCHES ARE: .020 - .315 = ± 0.007" .315 - 1.180 = ± 0.015" 1.180 - 4.724 = ± 0.020"		
DO NOT SCALE DRAWING		
APPROVALS		DATE
DRAWN G.R.S.		02/15/03
CHECKED		
ISSUED		
SHEET 1 OF 1		
CAD FILE C:/112/112162.DWG		
Amphenol Connex		
PART DESCRIPTION		
BNC R/A CRIMP PLUG (FOR RG-58/U, 141/U CABLE)		
PART NO. 112162		
DWG. NO.	112162.DWG	REV. NC SIZE A SCALE NA