

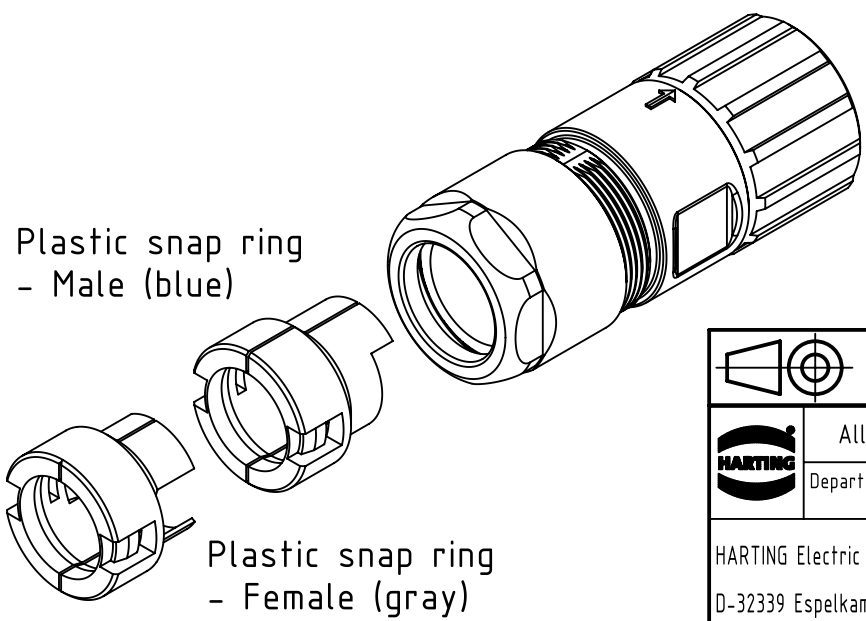
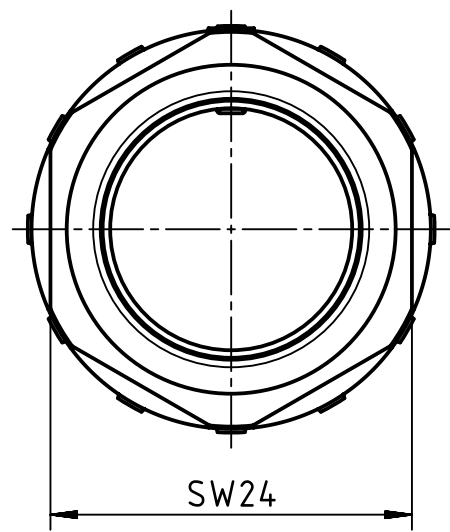
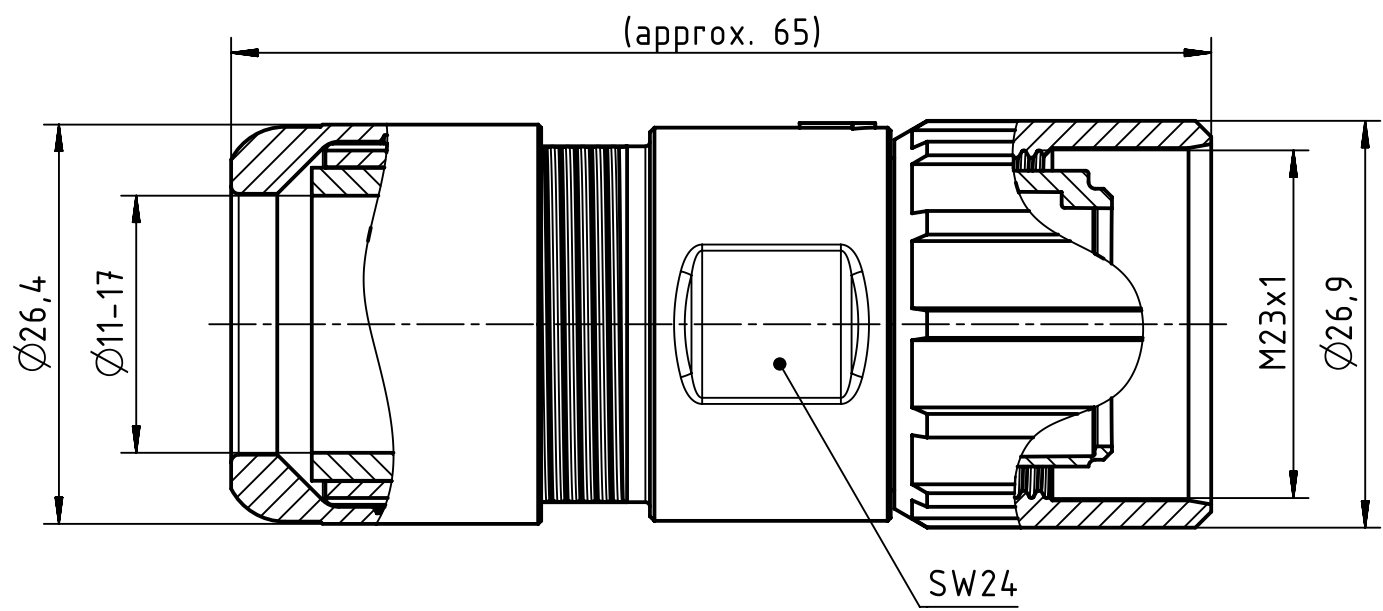
1                      2                      3                      4                      5                      6


A

B

C

D



	All Dimensions in mm Original Size DIN A4		Scale 2:1	Free size tol.		Ref.	
	All rights reserved Department EL PD - DE		Created by KLASSEN P	Inspected by RIEPE	Standardisation RUETERA	Date 2017-02-03	State Final Release
HARTING Electric GmbH & Co. KG D-32339 Espelkamp		Title Han M23 Hood 11-17 mm				Doc-Key / ECM-Nr. 100708331/UGD/000/A 500000114.713	
		Type TB	Number 09 15 100 0403			Rev. A	Page 1/1