

SPECIFICATION CONTROL DRAWING

CONTACTS, ELECTRICAL CONNECTOR, SOCKET, SOLDER TACT R
REMOVABLE, TWISTED PAIR, SHIELDED SIZE 16, M39029/77 TYPE
(FOR MIL-C-38999 SERIES I, III AND IV CONNECTORS)

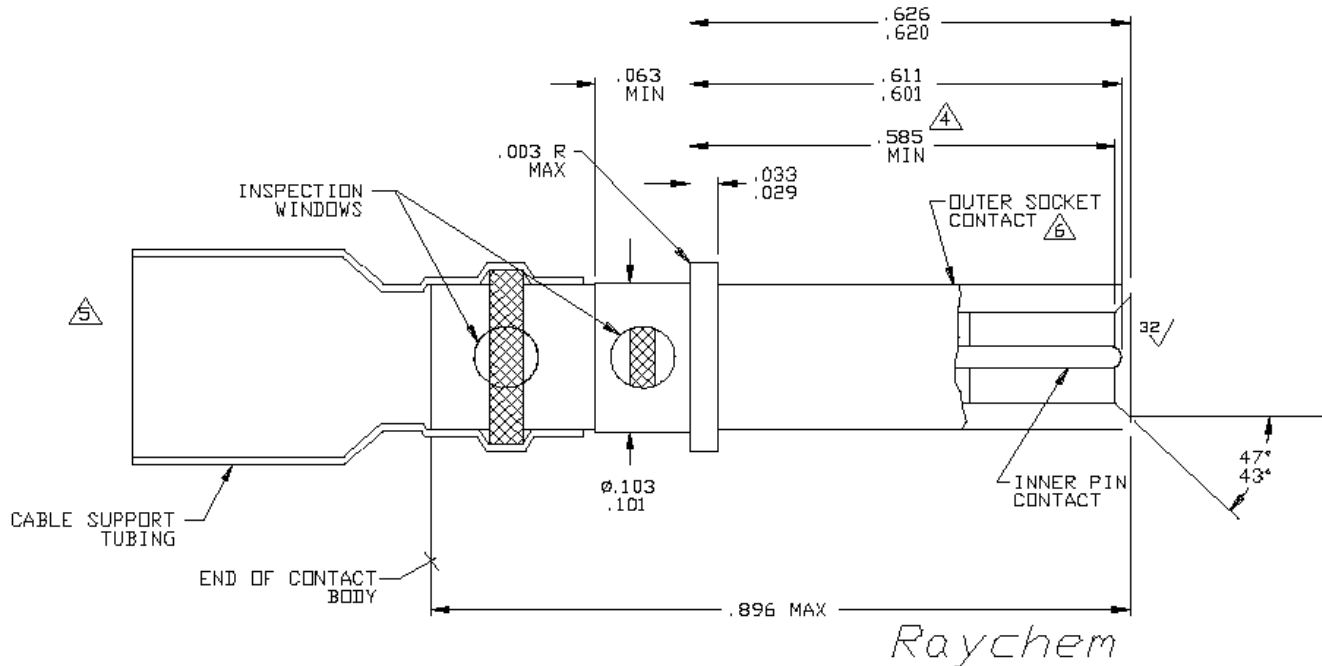


FIGURE 1.

Raychem

1. DIMENSIONS ARE IN INCHES.
2. METRIC EQUIVALENTS CAN BE CALCULATED BASED UPON 1.00 INCH=25.4mm.
3. DIMENSIONS SHOWN APPLY AFTER PLATING.

4 POINT AT WHICH A SQUARE ENDED PIN OF THE SAME BASIC DIAMETER AS THE MATING CONTACT FIRST ENGAGES THE OUTER CONTACT SPRING. PROVISION FOR CLEARANCE HOLE SHALL BE PROVIDED.

5

6 MATES WITH .0635/.0615 DIA PIN

NOTICE: THE INFORMATION GIVEN HEREIN IS BELIEVED TO BE RELIABLE, HOWEVER, RAYCHEM MAKES NO WARRANTIES AS TO ITS ACCURACY OR COMPLETENESS AND DISCLAIMS ANY LIABILITY IN CONNECTION WITH ITS USE. RAYCHEM'S OBLIGATIONS SHALL BE ONLY AS SET FORTH IN RAYCHEM'S STANDARD TERMS AND CONDITIONS OF SALE FOR THIS PRODUCT AND IN NO CASE WILL RAYCHEM BE LIABLE FOR ANY INCIDENTAL, INDIRECT OR CONSEQUENTIAL DAMAGES ARISING OUT OF THE SALE, RESALE, USE OR MISUSE OF THE PRODUCT.

USERS OF RAYCHEM PRODUCTS SHOULD MAKE THEIR OWN EVALUATION TO DETERMINE THE SUITABILITY OF EACH SUCH PRODUCT FOR THE SPECIFIC APPLICATION.

UNLESS OTHERWISE SPECIFIED DIMENSIONS ARE IN INCHES. METRIC DIMENSIONS ARE IN BRACKETS.

DECIMALS
.XXX ± [mm]
.XX ± [mm]
ANGLES ±

PREPARED BY:	CAD NAME: <small>If this document is printed it becomes uncontrolled. Check for the latest revision.</small>	CHECKED:	APPROVED:	DOCUMENT NUMBER: D-602-0143
DATE:		DATE:	DEV MGR. DATE:	

SPECIFICATION CONTROL DRAWING

REQUIREMENTS:

DIMENSIONS (FIGURE 1), DESIGN CHARACTERISTICS, AND CONFIGURATIONS MEET THE REQUIREMENTS OF M39029/76 EXCEPT THAT THE TEMPERATURE RATING IS 125°C INSTEAD OF 200°C. TERMINATION IS BY SOLDERING INSTEAD OF CRIMPING AND THE CABLE ACCOMMODATED IS TWISTED PAIR INSTEAD OF COAXIAL. SEE TABLE I FOR CABLE ACCOMMODATIONS.

THIS CONTACT IS QUALIFIED TO RAYCHEM SPECIFICATION D-6002.

TOOLS: SEE TABLE II.

TABLE I. DESIGN CHARACTERISTICS

CABLE ACCOMMODATED ^{1/}	CONTACT CAVITY SIZE	TYPE	CLASS
TWISTED PAIR 26 AWG TWISTED PAIR 28 AWG TWISTED PAIR 30 AWG	16	D	A

^{1/} OTHER APPLICATIONS USING DIFFERENT CABLES MAY BE ACCOMMODATED. CONSULT CONTACT MANUFACTURER FOR DETAILS.

TABLE II. TOOLS

HEATING TOOLS ^{2/}	REFLECTORS ^{2/}	STANDARD FIXTURE ^{2/}		REPAIR FIXTURE ^{2/}	INSTALLING TOOLS	REMOVAL TOOLS	FOLDING TOOL
		BASIC FIXTURE	ADAPTER				
AA-400 SUPER HEATER	#979663 MINI SOLDER SLEEVE	AD-1319 OR AD1567	AT-1319-78	AD-1565	M81969/8-07 OR M81969/14-03	M81969/8-08 OR M81969/14-03	AD-1575-1
CV-5300 MINI GUN	MG-1 SOLDERSLEEVE						

^{2/} SEE TERMINATION PROCEDURE: RAYCHEM ES-61224

If this document is printed it becomes uncontrolled.
Check for the latest revision.

DOCUMENT NUMBER:

D-602-0143

CAD NAME: 001433-2

SHEET 2 of 5

SPECIFICATION CONTROL DRAWING

ASSEMBLY INSTRUCTIONS

1. STRIP CABLE AS SHOWN ON FIGURE 2.
2. INSERT CABLE INTO CONTACT UNTIL IT IS FULLY SEATED.
3. HEAT CONTACT WITH APPROPRIATE TOOLS AS SHOWN ON TABLE II UNTIL SOLDER MELTS AND STRAIN RELIEF TUBING CONFORMS TO CABLE.
4. SEE TABLE I FOR CABLE ACCOMMODATION.

TWISTED PAIR CABLE ACCOMMODATION

1. SOLDER CONTACTS CAN BE TERMINATED TO TWISTED-PAIR CABLE OF THE FOLLOWING CONSTRUCTION.

SIZE.....AWG 26 THROUGH AWG 30
 PLATING.....TIN OR SILVER
 CONSTRUCTION.....SOLID OR STRANDED
 INSULATION DIAMETER.....Ø.045 INCH. MAX.

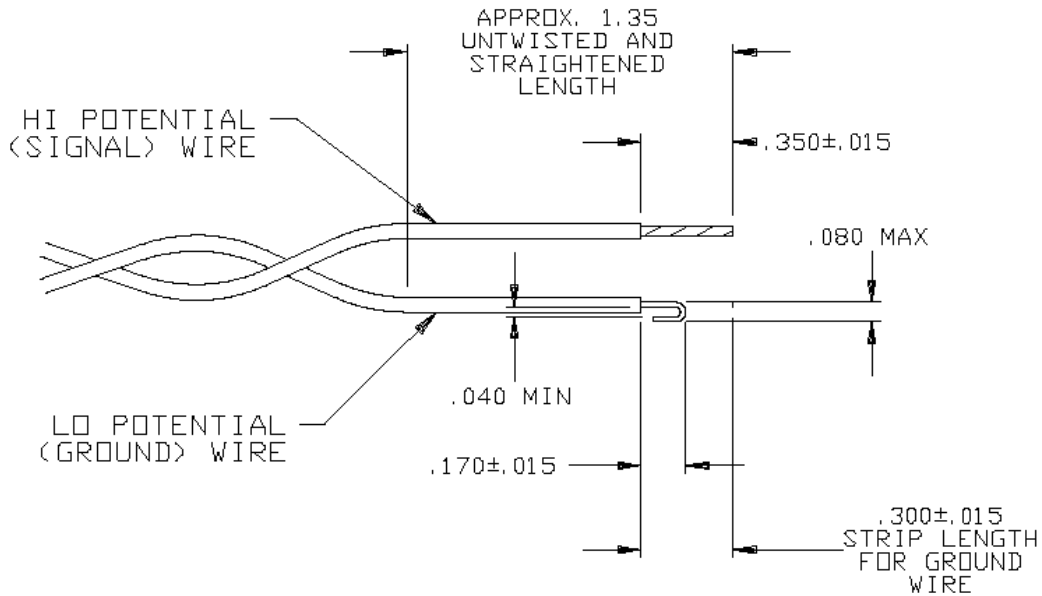


FIGURE 2

If this document is printed it becomes uncontrolled.
 Check for the latest revision.

DOCUMENT NUMBER:

D-602-0143

CAD NAME: 001433-3

SHEET 3 of 5

CONTACT ENGAGEMENT AND SEPARATION FORCES (OUTER SOCKET CONTACT ONLY); THE ENGAGEMENT DEPTH SHALL BE AS ENCOUNTERED IN NORMAL SERVICE. THE TEST PINS SHALL BE IN ACCORDANCE WITH MS3197 EXCEPT THE DIAMETERS SHALL BE AS SPECIFIED IN THE FOLLOWING, AND SURFACE ROUGHNESS SHALL NOT EXCEED 3 MICROINCHES. PROVISIONS FOR CLEARANCE HOLE SHALL BE PROVIDED.

Raychem TABLE III

TEST PIN DIAMETER (INCH)	MINIMUM SEPARATION FORCE (OUNCES)		MAXIMUM ENGAGEMENT FORCE (OUNCES)	
	INITIAL	AFTER CONDITIONING	INITIAL	AFTER CONDITIONING
.0635 $\begin{matrix} +.0002 \\ -.0000 \end{matrix}$	N/A	N/A	30.0	36.0
.0615 $\begin{matrix} +.0000 \\ -.0002 \end{matrix}$	2.0	1.5	N/A	N/A

DIELECTRIC WITHSTANDING VOLTAGE (APPLIED BETWEEN INNER AND OUTER CONTACT); TEST VOLTAGE:

AT SEA LEVEL: 800 VAC, RMS.
AT 50,000 FEET: 250 VAC, RMS.

CONTACT RESISTANCE; SEE TABLE IV

TABLE IV. CONTACT RESISTANCE

TEST CABLE	MAXIMUM VOLTAGE DROP (MILLIVOLTS)						TEST CURRENT (AMPS)	
	25° $\begin{matrix} +3° \\ -0° \end{matrix}$ C		25° $\begin{matrix} +3° \\ -0° \end{matrix}$ C <u>3/</u>		125° $\begin{matrix} +3° \\ -0° \end{matrix}$ C			
	CONTACT		CONTACT		CONTACT		CONTACT	
	INNER	OUTER	INNER	OUTER	INNER	OUTER	INNER	OUTER
26 AWG T.P./TC	52	52	63	63	78	78	2.0	2.0
28 AWG T.P./TC	54	54	65	65	81	81	1.5	1.5
30 AWG T.P./TC	60	60	73	73	90	90	1.0	1.0
26 AWG T.P./SHSC	52	52	63	63	78	78	2.0	2.0
28 AWG T.P./SHSC	54	54	65	65	81	81	1.5	1.5
30 AWG T.P./SHSC	60	60	73	73	90	90	1.0	1.0

3/ AFTER CONDITIONING.

TC = TIN PLATED COPPER
TP = TWISTED PAIR
SHSC = SILVER PLATED HIGH STRENGTH

If this document is printed it becomes uncontrolled.
Check for the latest revision.

DOCUMENT NUMBER:

D-602-0143

CAD NAME: 001433-4

SHEET 4 OF 5

SPECIFICATION CONTROL DRAWING

LOW SIGNAL LEVEL CONTACT RESISTANCE (INNER CONTACT ONLY): SEE TABLE V.
TENSILE STRENGTH (INNER AND OUTER CONTACT SOLDER JOINT): SEE TABLE V.

TABLE V. LOW SIGNAL LEVEL CONTACT RESISTANCE
(INNER CONTACT ONLY) AND TENSILE STRENGTH
Raychem

TEST CABLE	MAXIMUM CONTACT RESISTANCE (MILLIOHMS)		TENSILE STRENGTH (POUNDS) (MINIMUM)	
	INITIAL	AFTER CONDITIONING	INNER CONTACT	OUTER CONTACT
26 AWG T.P./TC	31	38	5.0	5.0
28 AWG T.P./TC	50	60	3.0	3.0
30 AWG T.P./TC	75	88	1.5	1.5
26 AWG T.P./SHSC	31	38	5.0	5.0
28 AWG T.P./SHSC	50	60	4.0	4.0
30 AWG T.P./SHC	75	88	2.0	2.0

TC = TIN PLATED COPPER
TP = TWISTED PAIR WIRE
SHSC = SILVER PLATED HIGH STRENGTH COPPER

MATERIAL:	CONTACT BODY	BERYLLIUM COPPER, ALLOY 173, CONDITION H PER ASTM B196
	INNER CONTACT	BERYLLIUM COPPER, ALLOY 173, CONDITION H PER ASTM B196
	PLATING (CONTACT BODY AND INNER CONTACT)	GOLD PLATE PER MIL-G-45204 TYPE II, GRADE C 50 MICROINCHES MINIMUM OVER NICKEL PER QQ-N-290A 50 MICROINCHES MINIMUM OVER COPPER STRIKE - 40 MICROINCHES MAXIMUM
	SOLDER	Sn63 PER QQ-S-571
	FLUX	TYPE RMA PER QQ-S-571
	SHRINK TUBING	HEAT-SHRINKABLE, RADIATION-CROSSLINKED POLYVINYLIDENE FLUORIDE
	DIELECTRIC	ETFE FLUOROPOLYMER PER ASTM D3159
SHIPPING	FIGURE 1 INDICATES THE ONE-PIECE ASSEMBLY. TERMINATION INSTRUCTIONS ARE TO BE SHIPPED WITH THE UNIT PACKAGE.	

DOCUMENT NUMBER:

D-602-0143

If this document is printed it becomes uncontrolled.
Check for the latest revision.

CAD NAME: 001433-5 SHEET 5 OF 5