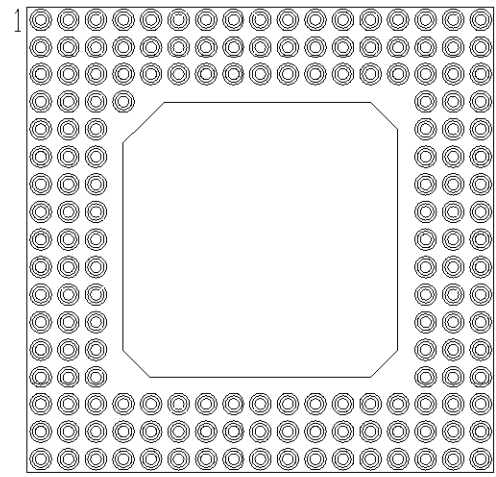
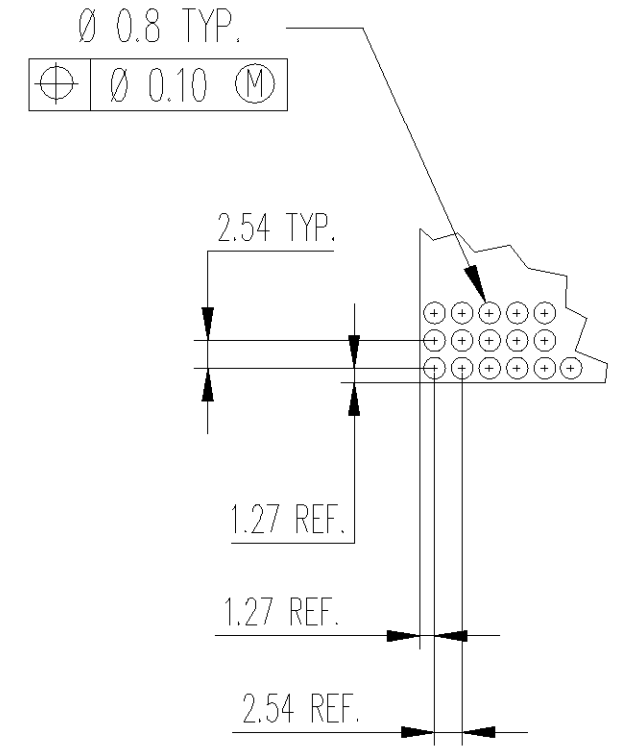
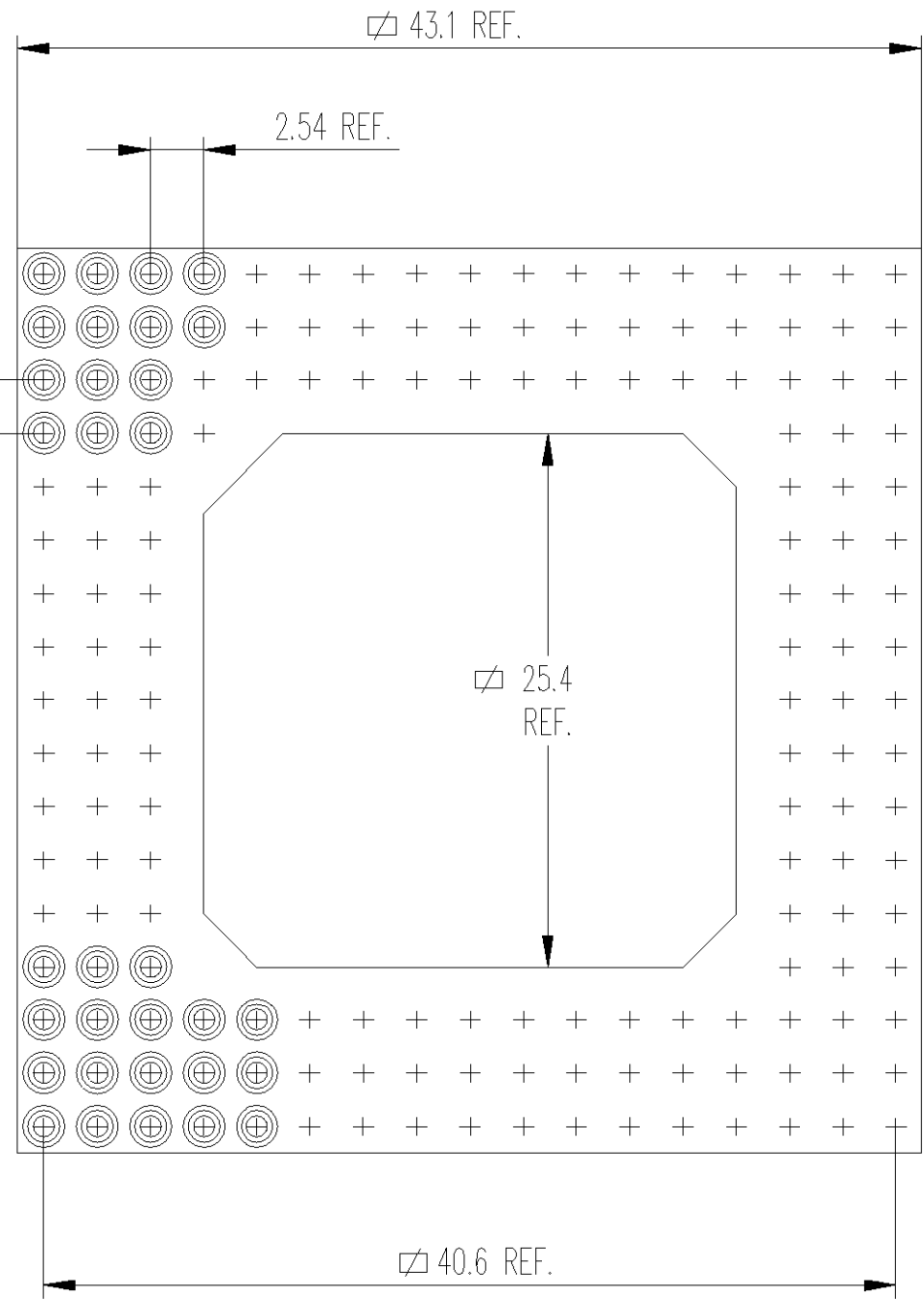
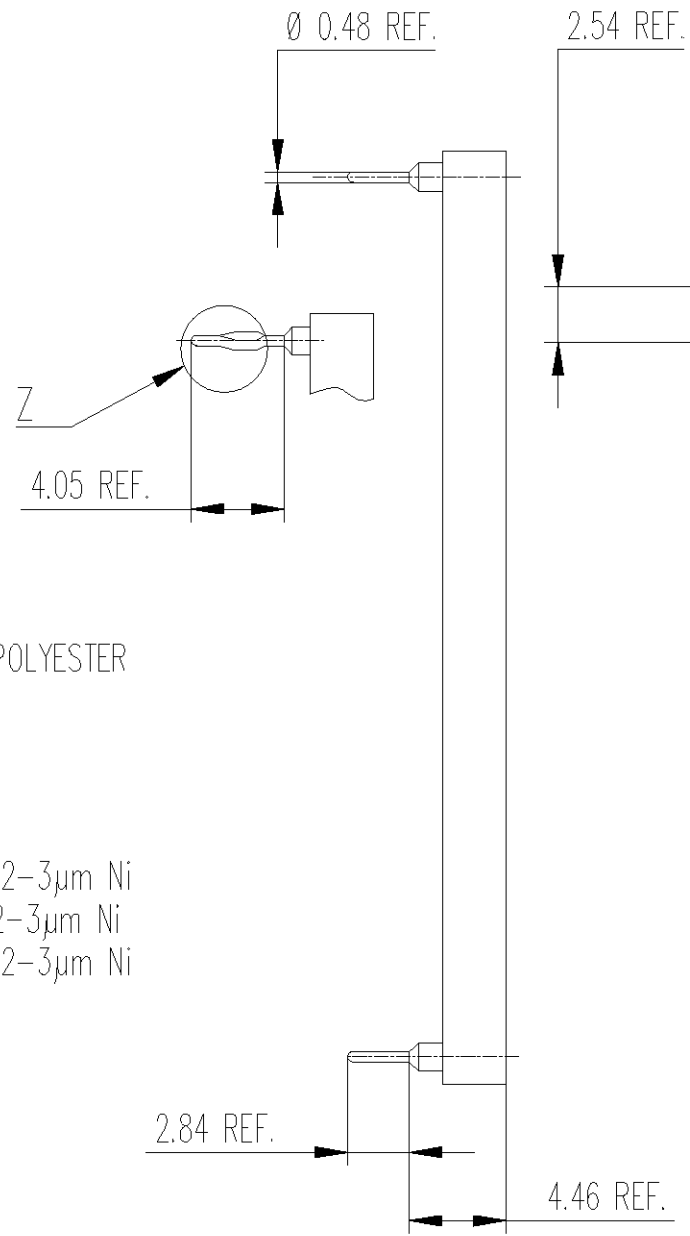


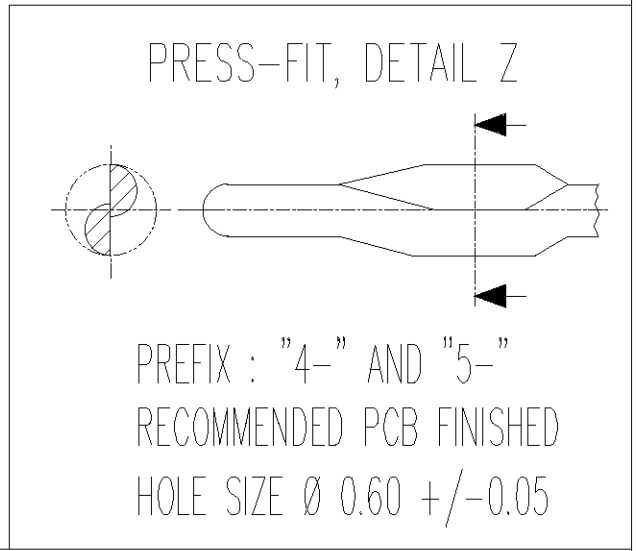
DRAWING NO
C - 210227



169 positions
Ech. 1:1



RECOMMENDED P.C.
BOARD PATTERN



- NOTE :
- MATERIAL
 - INSULATOR : GLASSFILLED THERMOPLASTIC POLYESTER
 - SOLDER TAIL SLEEVE : BRASS
 - PRESS-FIT SLEEVE : PHOSPHOR BRONZE
 - CLIP : STAMPED BERYLLIUM COPPER
 - SLEEVE PLATING:
 - PREFIX "0-" AND "2-": 5 μ m Sn/Pb OVER 2-3 μ m Ni
 - PREFIX "1-" AND "3-": 0.25 μ m Au OVER 2-3 μ m Ni
 - PREFIX "4-" AND "5-": 3 μ m Sn/Pb OVER 2-3 μ m Ni
 - INNER CONTACT PLATING
 - SUFFIX "-1" 0.25 μ m 18c. Au
 - SUFFIX "-3" 0.75 μ m 18c. Au
 - SUFFIX "-4" 0.75 μ m 24c. Au
 - SUFFIX "-5" 5 μ m MIN. Sn/Pb **
 - SUFFIX "-6" 0.1 μ m FLASH 24c. Au
 - ** ONLY WITH PREFIX "0-", "2-", "4-" AND "5-"
 - INNER SPRING CONTACT ACCEPT $\varnothing 0.40$ TO 0.56
OR RECTANGULAR PIN 0.25×0.45
 - INSERTION CHARACTERISTICS:
 - PREFIX "0-", "1-" AND "4-": VERY LOW FORCE
 - PREFIX "2-", "3-" AND "5-": ULTRA LOW FORCE
 - MECHANICAL DATA WITH A $\varnothing 0.43$ TEST PIN :

	VLI	ULI
-MAX. INSERTION FORCE :	0.7N	0.2N
-MIN. EXTRACTION FORCE :	0.1N	0.05N
-MECHANICAL LIFE :	100 CYCLES MIN.	

DIMENSIONS	mm						
SURFACE TEXTURE			B1	EW00-0107-02	E. BRESSOUD	24 APR 02	H. CACHOD
CONCENTRICITY		0.15	0	FIRST ISSUE			
PRODUCT SPEC.			P	REV	ECN	DRWN	DATE

DRAWN P.-A. MEIER 16 APR 99
CHECKED A. BOLIS 16 APR 99
APPROVED
CUSTOMER DRAWING
FOR REFERENCE ONLY

THIS INFORMATION IS CONFIDENTIAL AND IS DISCLOSED TO YOU ON CONDITION THAT NO FURTHER DISCLOSURE IS MADE BY YOU TO OTHER THAN AMP PERSONNEL WITHOUT WRITTEN AUTHORIZATION FROM DSM SWITZERLAND.

NAME
OPEN FRAME PGA
17 x 17, 169 SOCKETS

WAS 700-169-17-0-CC AND CCAP
WAS 345632-6 TO 10

AMP DSM DECOLLETAGE SA SAINT-MAURICE
CH 1890 SAINT-MAURICE (VS)

LOC	SCALE	SIZE	DRAWING NO	SHEET	REVISION
EK	2/1	A4	C - 210227	1 of 1	B1