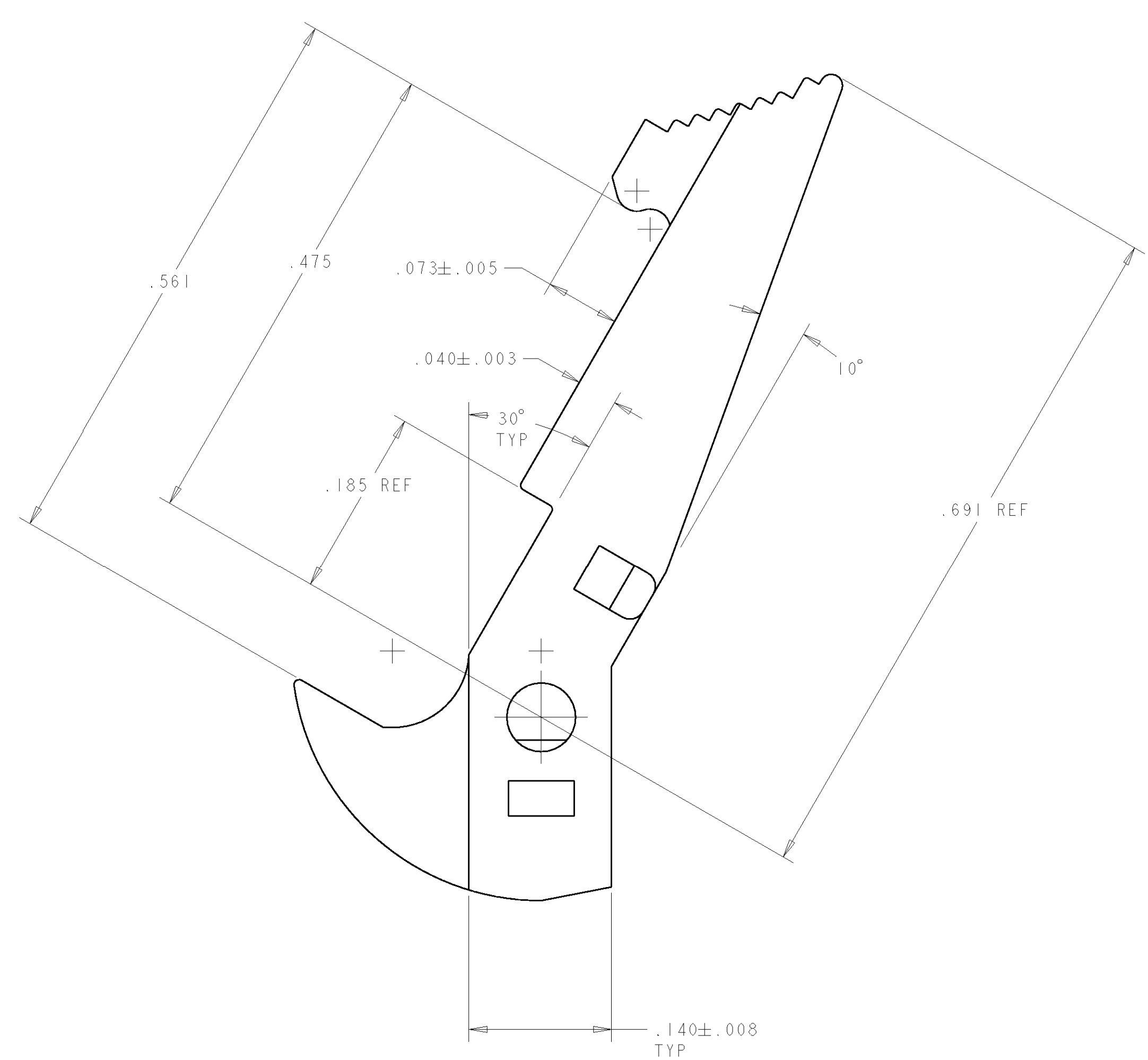
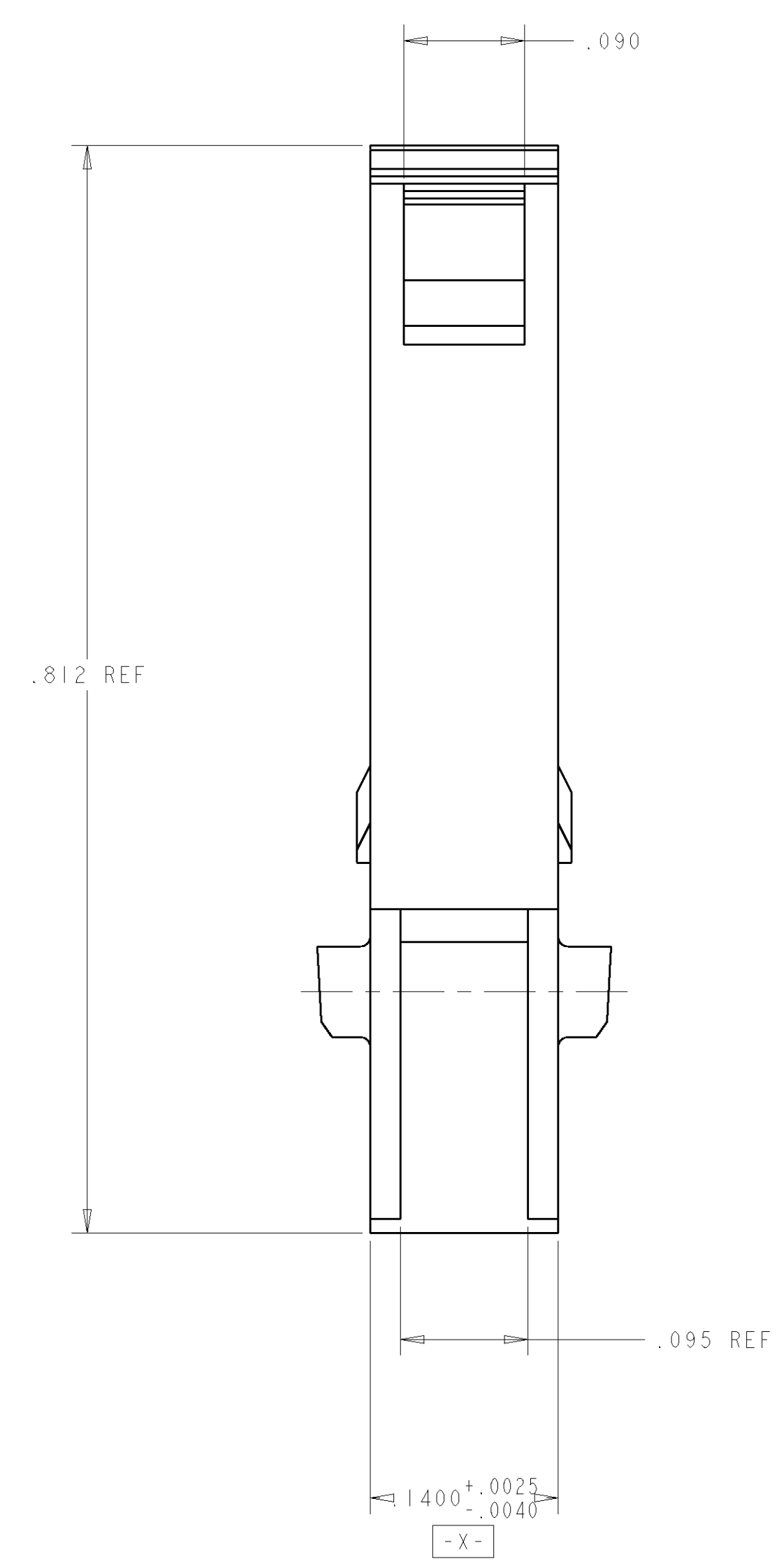


LOC		DIST		REVISIONS			
AD	00	P	LTR	DESCRIPTION	DATE	DWN	APVD
		1		PRELIMINARY RELEASE	24AUG2006	RB	DR
		A		ECO-07-002866	09FEB2007	RB	DR



- TO BE USED WITH AMP-LATCH UNIVERSAL HEADER WHICH MATES WITH AMPMODU RECEPTACLE HOUSING 102387.
- MUST BE PURCHASED SEPARATELY - 2 PER HEADER.
- MATERIAL: THERMOPLASTIC, PBT, UL94 V-0.

COLOR - BLACK	1825851-1
DESCRIPTION	PART NUMBER

<small>THIS DRAWING IS UNPUBLISHED. RELEASED FOR PUBLICATION BY TYCO ELECTRONICS CORPORATION. IT IS THE PROPERTY OF TYCO ELECTRONICS CORPORATION. IT IS TO BE USED FOR THE DESIGN AND CONSTRUCTION OF PRODUCTS. IT IS TO BE KEPT IN CONFIDENTIALITY.</small>		DWN: R BROWN 24AUG2006 CHK: D ROHDE 24AUG2006 APVD: D ROHDE 24AUG2006	tyco Electronics Tyco Electronics Harrisburg, PA 17105-3608
DIMENSIONS: INCHES:	TOLERANCES UNLESS OTHERWISE SPECIFIED: 0 PLC ± 1 PLC ± 2 PLC ± 3 PLC ±.005 4 PLC ± ANGLES ±1°	PRODUCT SPEC APPLICATION SPEC WEIGHT CUSTOMER DRAWING	NAME: AMPMODU, MOD IV LATCH, .475 HT, FOR AMPLATCH UNIVERSAL HEADERS SIZE: A 00779 C=1825851 SCALE: 10:1 SHEET 1 OF 1 REV A